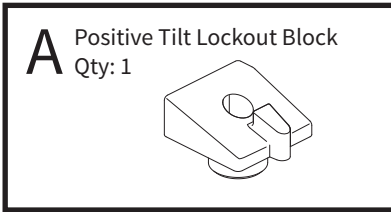


Assembly & Installation Instructions: Positive Tilt Lockout Kit, 3170-P2NPT

Part Included



Required

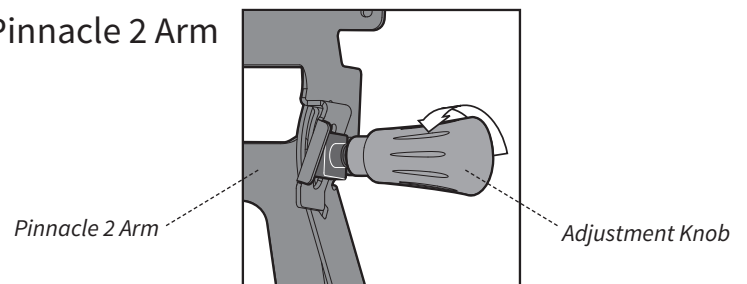
Pinnacle 2 Arm

Tools Required

No tools are required to install the Positive Tilt Lockout Kit

1 Remove the Adjustment Knob From the Pinnacle 2 Arm

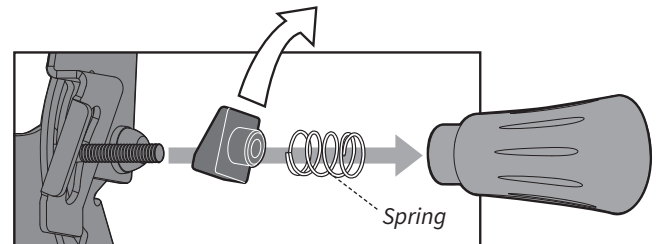
Unscrew the Adjustment Knob from the Pinnacle 2 Arm. Take care not to lose the spring contained within.



2 Remove Installed Wedge Block

Slide the installed wedge block and spring off the carriage bolt. It may be necessary to tilt the arm back to remove the block.

Reserve spring for next step.

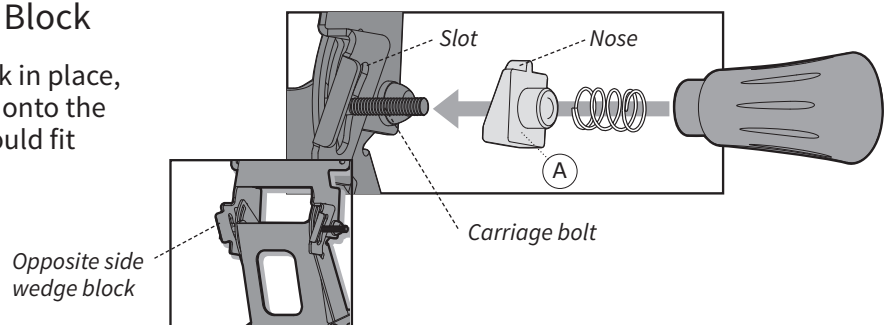


3 Insert the Positive Tilt Lockout Block

While holding the opposite wedge block in place, slide the Positive Tilt Lockout Block (A) onto the carriage bolt. The nose of the block should fit into the slot on the arm.

Replace spring.

⚠ Note: Be sure both blocks are aligned with the left and right slots.



4 Re-attach the Knob

While holding the opposite wedge block in place, screw the adjustment knob onto the carriage bolt.

