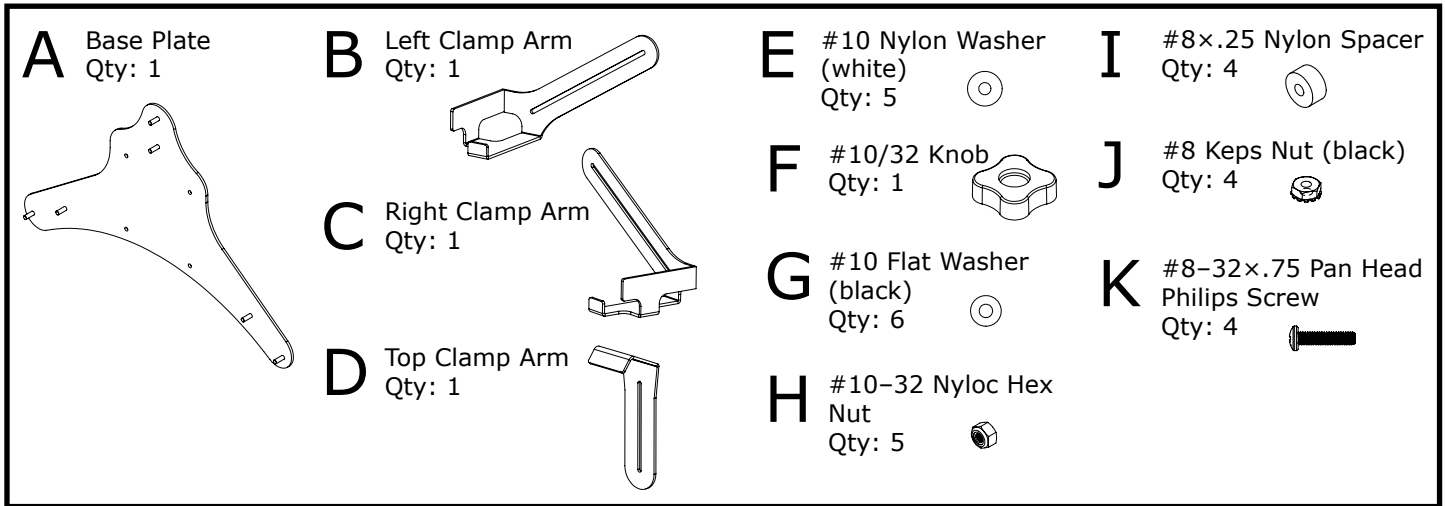


# Non-VESA Monitor Mount

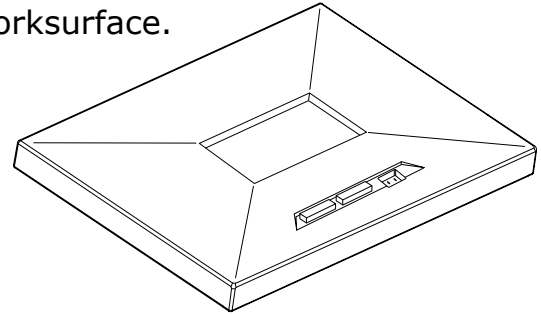
## Parts



## Instructions

- 1** Lay your monitor face down on a clean, soft worksurface.

Make sure your worksurface is clean and will not damage your monitor. Having a soft surface will aid in protecting your monitor while the hardware is being attached.

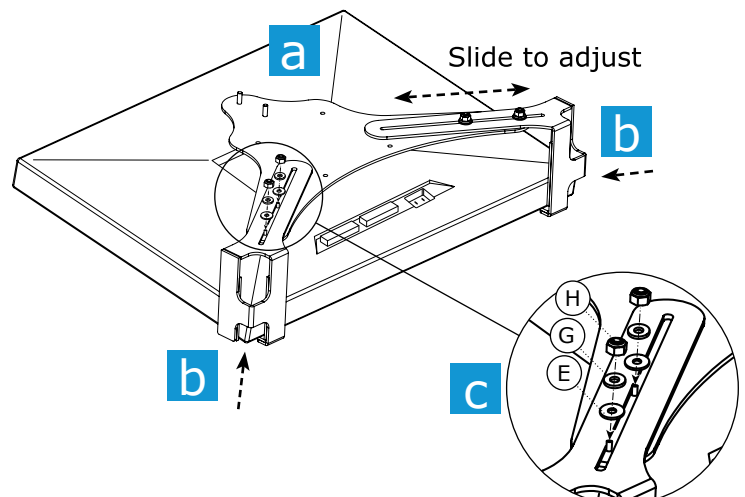


- 2** Place Base Plate in the center and Clamp Arms around the bottom corners of your monitor. Remember, with your monitor upside down, the right side is on the left and vice versa.

**a** Place the Base Plate in the center of the back of the monitor to align the Base Plate with the Clamp Arms.

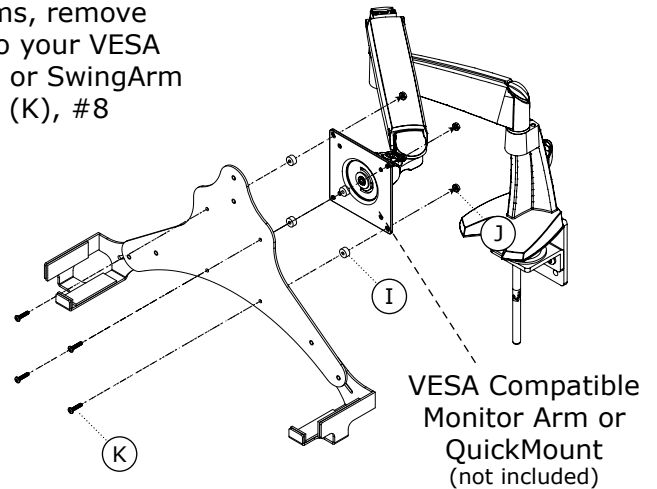
**b** Place the Left Clamp Arm around the bottom left monitor corner and the Right Clamp Arm around the bottom right corner of your monitor. You'll need to lift the bottom corners to "wrap" the clamps around the bottom corners.

**c** Slide the Clamp Arms to make sure you have a snug fit. Securely attach the Base Plate to the two Clamp Arms using #10 Nylon Washer (white) (E), #10 Flat Washer (black) (G) and #10 Nyloc Hex Nut (H).



### 3 Remove the Monitor Mount from the monitor and attach it to your VESA compliant Monitor Arm.

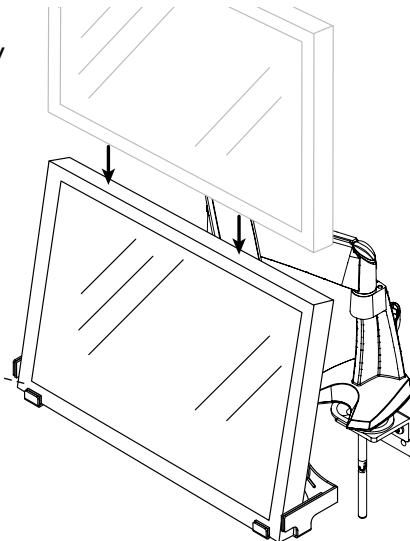
With the base plate attached to the two Clamp Arms, remove the Monitor Mount from your monitor and attach to your VESA compliant Monitor Mount, such as a Workrite Poise or SwingArm Monitor Arm using #8×¾ Pan Head Philips Screws (K), #8 Nylon Spacers (I) and #8 Keps Nuts (J).



### 4 Rest monitor in Monitor Mount attached to Monitor Arm.

Carefully place your monitor in the Monitor Mount attached to your Monitor Arm. Your monitor arm may move and the weight will probably make your arm drop.

The monitor will rest  
against the **FRONT** of  
the Clamp Arm



### 5 Attach Top Clamp Arm.

**a** Install Top Clamp Arm, using #10 Nylon Washer (white) (E), #10 Flat Washer (black) (G) and #10 Nyloc Hex Nut (H). Leave loose enough to adjust top clamp. Clamp is locked in place with Quick Tighten Knob.

**b** Install the Quick Tighten Knob (F) with #10 Flat Washer (black) (G). The monitor will clamp down with a quick 1/4 turn.

