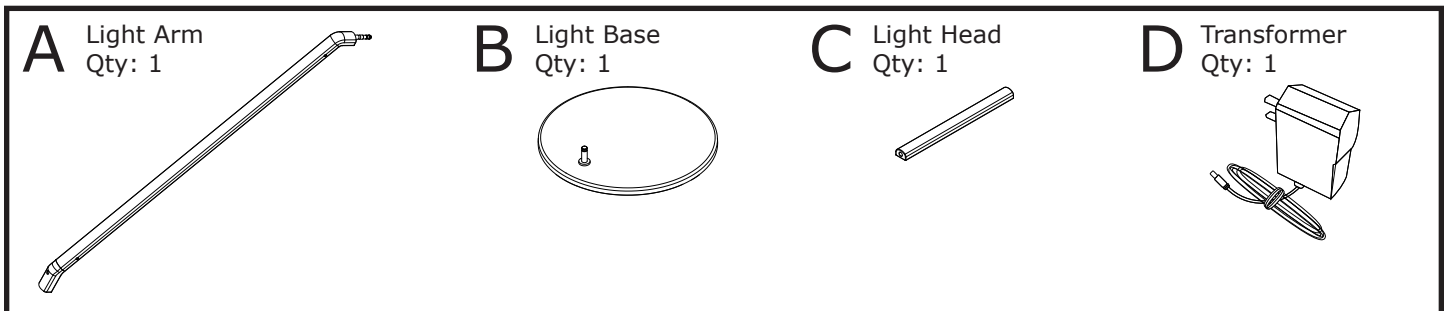


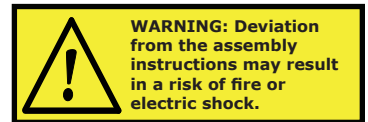


Assembly Instructions: Fundamentals Desk Lamp

Parts

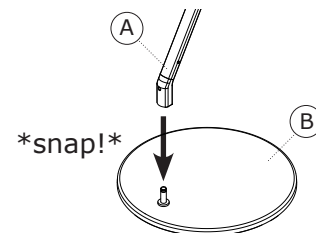


No tools are required to assemble Fundamentals Desk Lamp



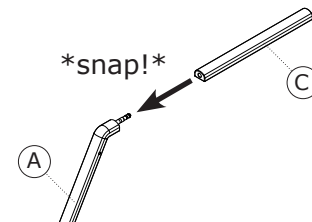
1 Attach Light Arm (A) to Light Base (B)

Align Light Arm (A) bottom hole with Light Base (B) pin and attach. Apply pressure until arm *snaps* onto base.



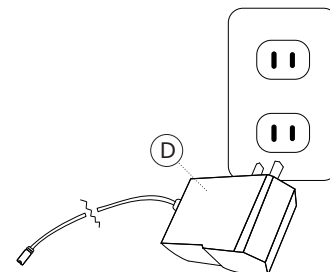
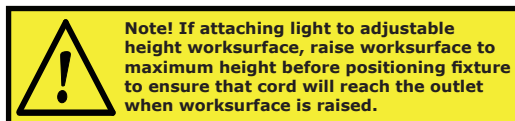
2 Attach Light Head (C) to Light Arm (A)

Align Light Head (C) back hole with Light Arm pin and attach. Apply pressure until Light Head (C) snaps onto arm.



3 Attach Transformer & plug in to outlet

Connect cord from Transformer (D) to port on back of Light Arm (A) near the base. Plug Transformer into all outlet.



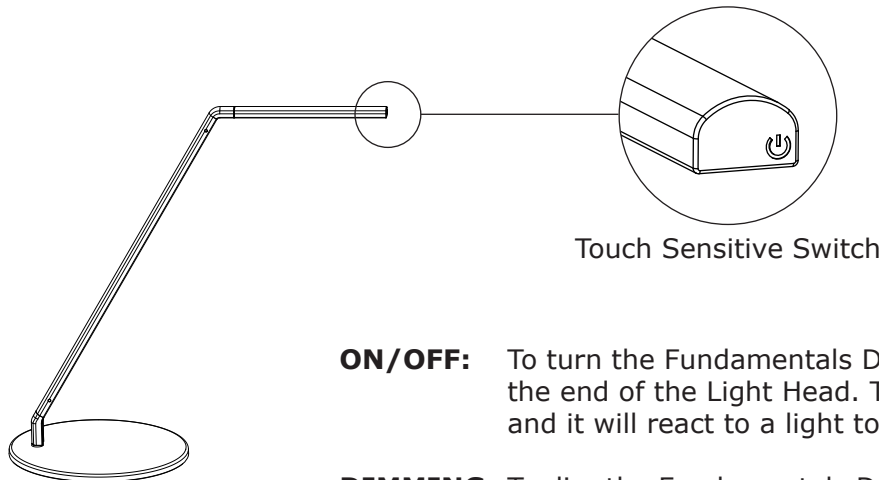
i Support

Replacement Transformer: Model#TR-12240500-A-SF3.5
Transformer specifications: 12W, 24V, 0.5A, Type-A Plug, Straight Female - 3.5MM Connector

Technical Support: Please call Workrite Technical Support while at the Workrite product.
(800) 969-9675 option 2.

User Instructions: Fundamentals Desk Lamp

On/Off and dimming

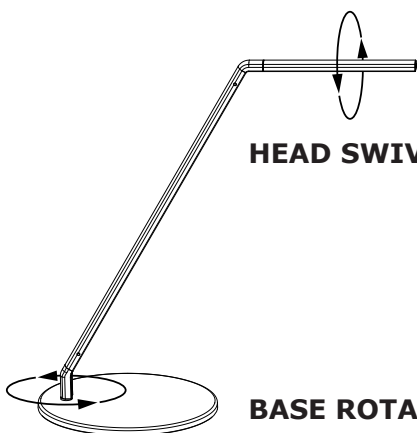


Part # **FD-DL10-S**

Touch Sensitive Switch

- ON/OFF:** To turn the Fundamentals Desk Lamp on or off, simply touch the end of the Light Head. This is a Touch-Sensitive Switch and it will react to a light touch.
- DIMMING:** To dim the Fundamentals Desk Lamp, touch and hold the Light Head Touch Sensitive Switch. As you hold the light will slowly dim. Release you finger from the sensor when you have reached the right dimming level.
- RESET:** To reset the dim level, simply touch the Light Head touch sensitive switch to turn the light off then repeat the on/off or dimming process.

Swivel and rotate



- HEAD SWIVEL:** The Fundamentals Desk Lamp Head swivels a full 360°. Simply twist the head in the direction you wish to have light or to minimize glare.
- BASE ROTATION:** The base also rotates a full 360° to place the light just where you need it.