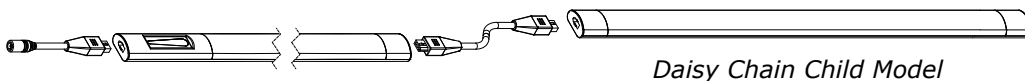
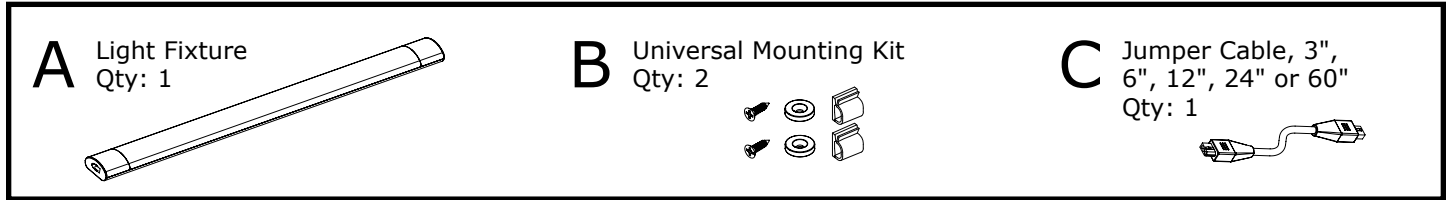




Assembly Instructions: Ciglio Under-Cabinet Light Daisy Chain **Child Models**

Parts



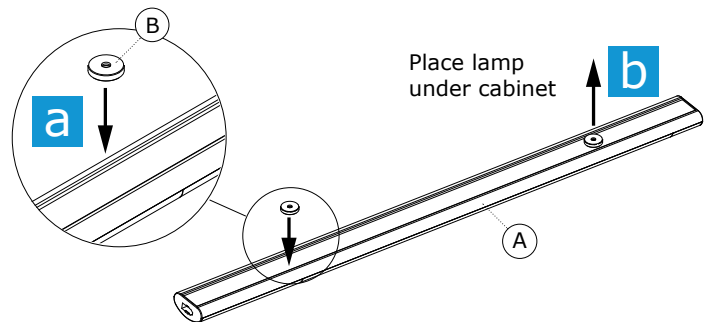
! When installing child units, confirm the parent unit of daisy chain is positioned so that it can be connected to the additional unit with the supplied jumper cable(s).

1 Mount to Cabinet

Determine if light will be affixed to a metal or wood cabinet and follow the appropriate step below.

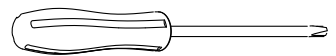
Mount to **METAL** Cabinets:

- a** Place Magnetic Mounts (B) onto back of Light Fixture (A).
- b** Attach Light Fixture to metal under-cabinet. Magnets will hold the fixture in place.

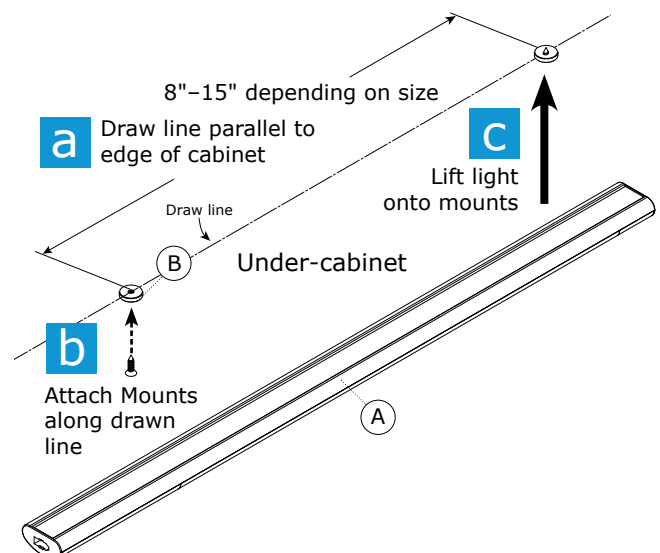


OR Mount to **Wood** Cabinets:

Note: You will need a #2 Phillips-head screwdriver to complete this step.

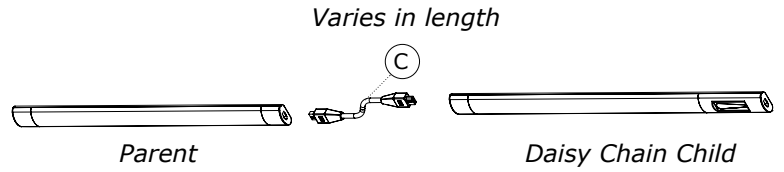


- a** Determine where you want to mount your light and draw a straight line on the underside of the cabinet to indicate the center along the length of the light.
- b** Attach the Universal Mounts (B) along your line with Screws provided by inserting screw through magnet and then screwing into marked location.
- c** Attach Light Fixture (A) onto mounts. Magnets will hold the fixture in place.



2 Attach Child Light to Parent Unit

Secure Jumper Cables (C) between each of the lights in the chain. The order of the lights does not matter as long as the parent unit is included in the chain.



3 Confirm Parent Unit is Plugged in Then Turn On

Confirm Parent unit is installed according to its instructions and turn on PARENT unit to turn on all daisy chained lights.

Note: Daisy chain systems can be powered via Child or Parent units.

! Maximum Daisy Chain Units

CAUTION! To reduce the risk of fire, electric shock and injury refer to the chart at right for maximum daisy-chained units:

Daisy Chain Configuration Examples
Supports up to 80" of actual fixture length

35" Parent	27" Parent	20" Parent	32" Child / Jumper	24" Child / Jumper	17" Child / Jumper	Maximum fixtures per daisy chain
1			1			2
1				1	1	3
1					2	3
	1		1		1	3
	1			2		3
	1			1	1	3
	1				3	4
		1	1	1		3
		1		2		3
		1			3	4

i Replacement parts

- Universal Mounting KitCIG-MOUNT
- 3" Jumper Cable.....CIG-CABLE-03
- 6" Jumper Cable.....CIG-CABLE-06
- 12" Jumper CableCIG-CABLE-12
- 24" Jumper CableCIG-CABLE-24
- 60" Jumper CableCIG-CABLE-60