


## Parts Included

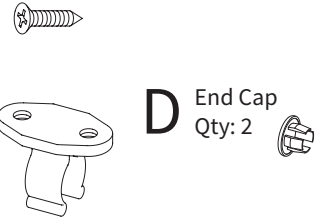
**A** Rolled Up Modesty Panel with 1 Aluminum Tube  
Qty: 1



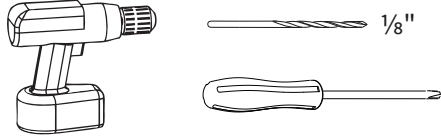
**B** #8 × 3/4" Phillips Screws  
Qty: 6

**C** C-Clip  
Qty: 3


**D** End Cap  
Qty: 2




Verify that you have all the hardware and tools needed for the assembly: #2 tip Phillips screwdriver, drill/driver with 1/8" drill bit.



**Important Note!**  
You might need to reposition the control box if it is in the way of the Modesty Panel assembly. Do this before proceeding.



**Important Note!**  
Raise workcenter to its highest position for ease of installation.

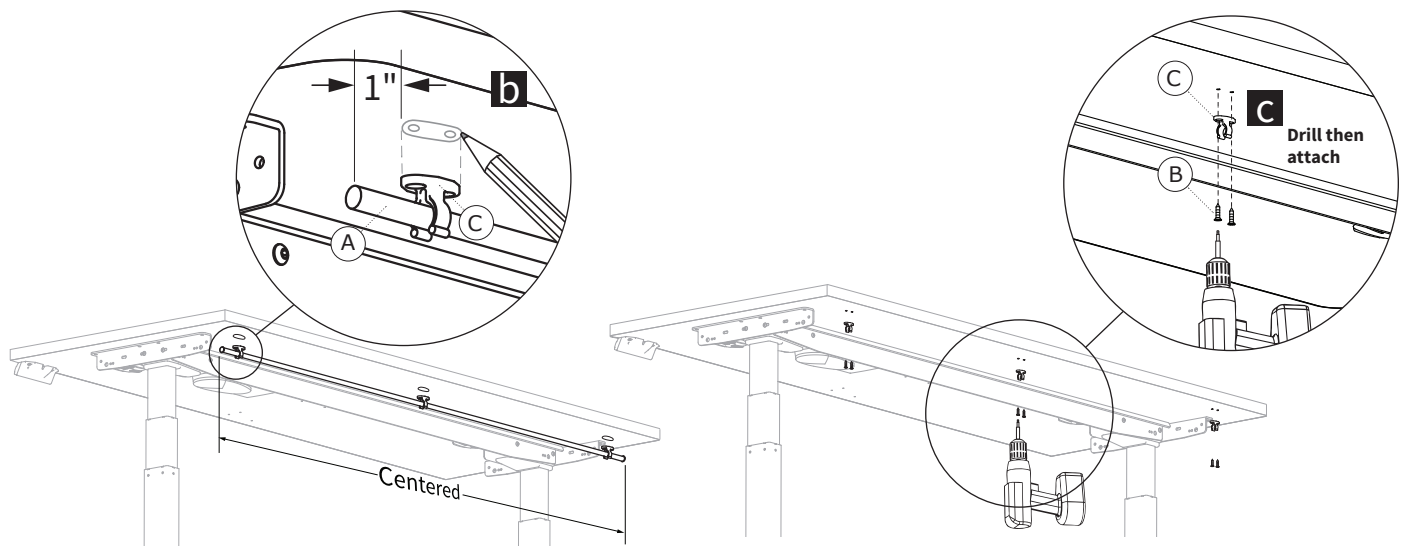


## 1 Unroll the Modesty Panel

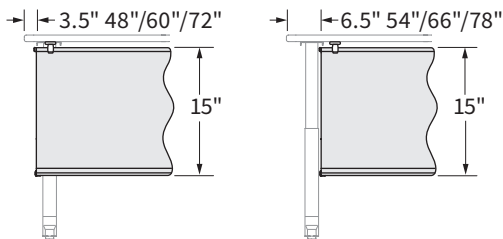
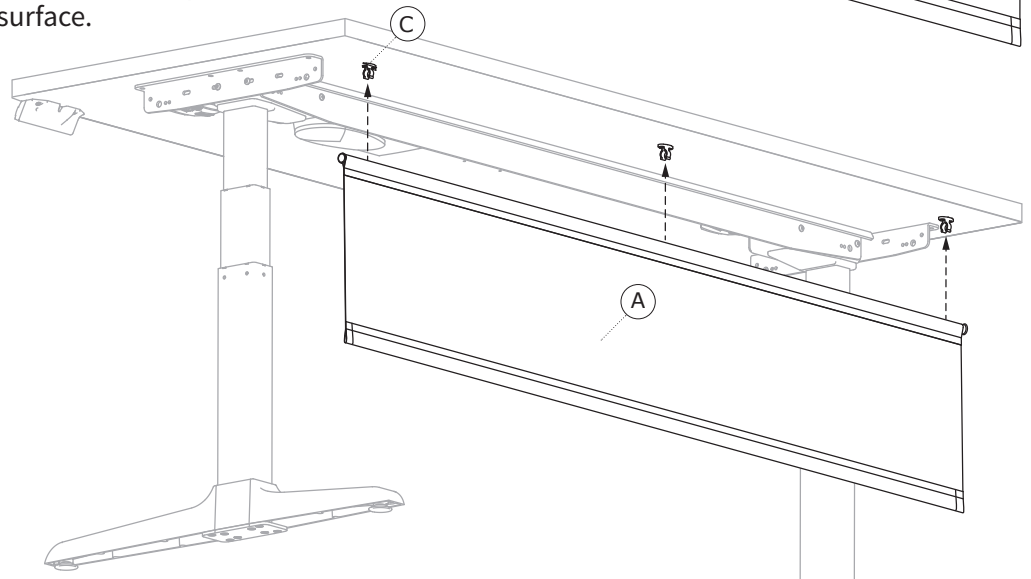
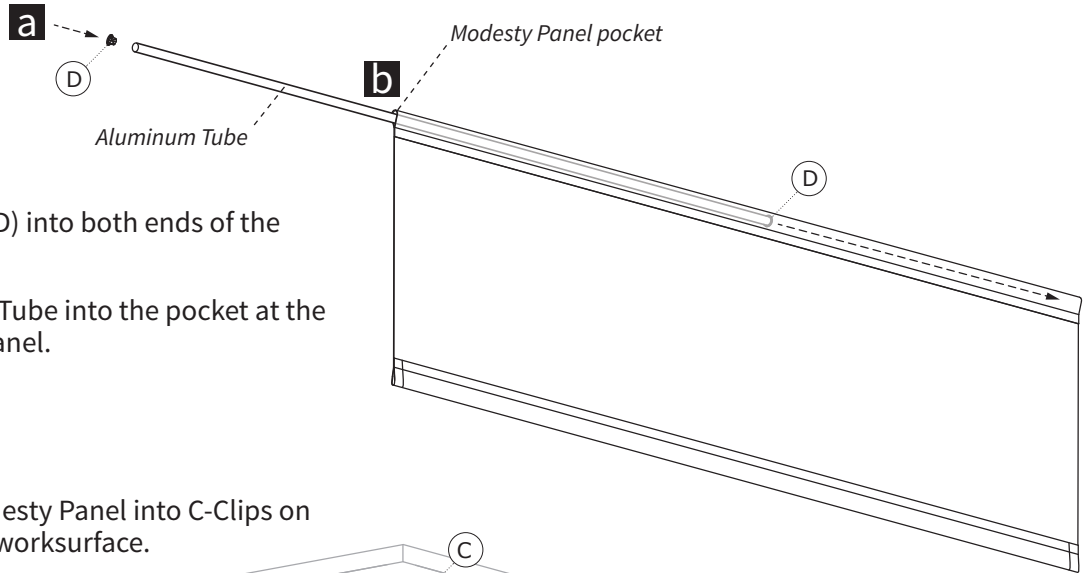
Remove the Aluminum Tube from inside the cardboard tube containing the rolled up Modesty Panel, then carefully unroll the panel. DO NOT fold or crease the fabric, this will leave permanent marks.

## 2 Attach C-Clips to Underside of Worksurface

- a** Determine where you want to position the Modesty Panel under the rear of your worksurface.
- b** Use the Aluminum Tube with three C-Clips (C) attached as a guide. They should be evenly spaced along the Aluminum Tube and about 1" from the end of the tube. Mark where the holes for the C-Clips should be drilled.
- c** Drill pilot holes into the worksurface. **BE CAREFUL TO NOT DRILL THROUGH YOUR TABLE TOP!** Attach the C-Clips using #8 × 3/4" Screws (B).



### 3 Assemble Panel and Snap Into Place



Front View

#### Fit Chart

	Worksurface Width		
Fits Workcenters (width)	48" & 54"	60" & 66"	72" & 78"
Modesty Screen Model #	945-39	945-51	945-63
Actual Size	39"	51"	63"