

Installation Instructions

Workrite Poise™ HD

PA3000 / PA4000

Workrite
ergonomics®

Workrite Poise™ HD

FLAT SCREEN MONITOR ARM

Contents

Important Safety Instructions	2
Components and Fasteners	3
Poise HD Assembly Instructions.....	4
LCD Monitor Attachment.....	5
Cable Management	6
Arm Adjustment	7
Desk Base Template.....	8

Important Safety Instructions

Read and understand all these safety instructions before using the product.

Do not mount the Desk Base or Wall Mounted Bracket of the Arm on an unstable surface or any surface that could not mount the Desk Base firmly.


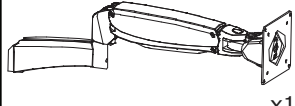







For safety reasons, the internal gas-strut of the LCD Arm product was pre-adjusted in the factory to the lowest force to prevent the Arm body from being re-coiled during installation.

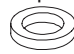
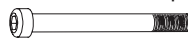






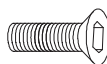







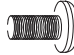


During installation, beware of the recoil of the Arm body when attaching or detaching the LCD monitor to the Arm. To prevent damage or injury when changing the LCD monitor, always readjust the gas-strut to the lowest force level to control the recoil of the Arm body when the LCD monitor is detached.

Do not attempt to disassemble, service or modify the product by yourself.

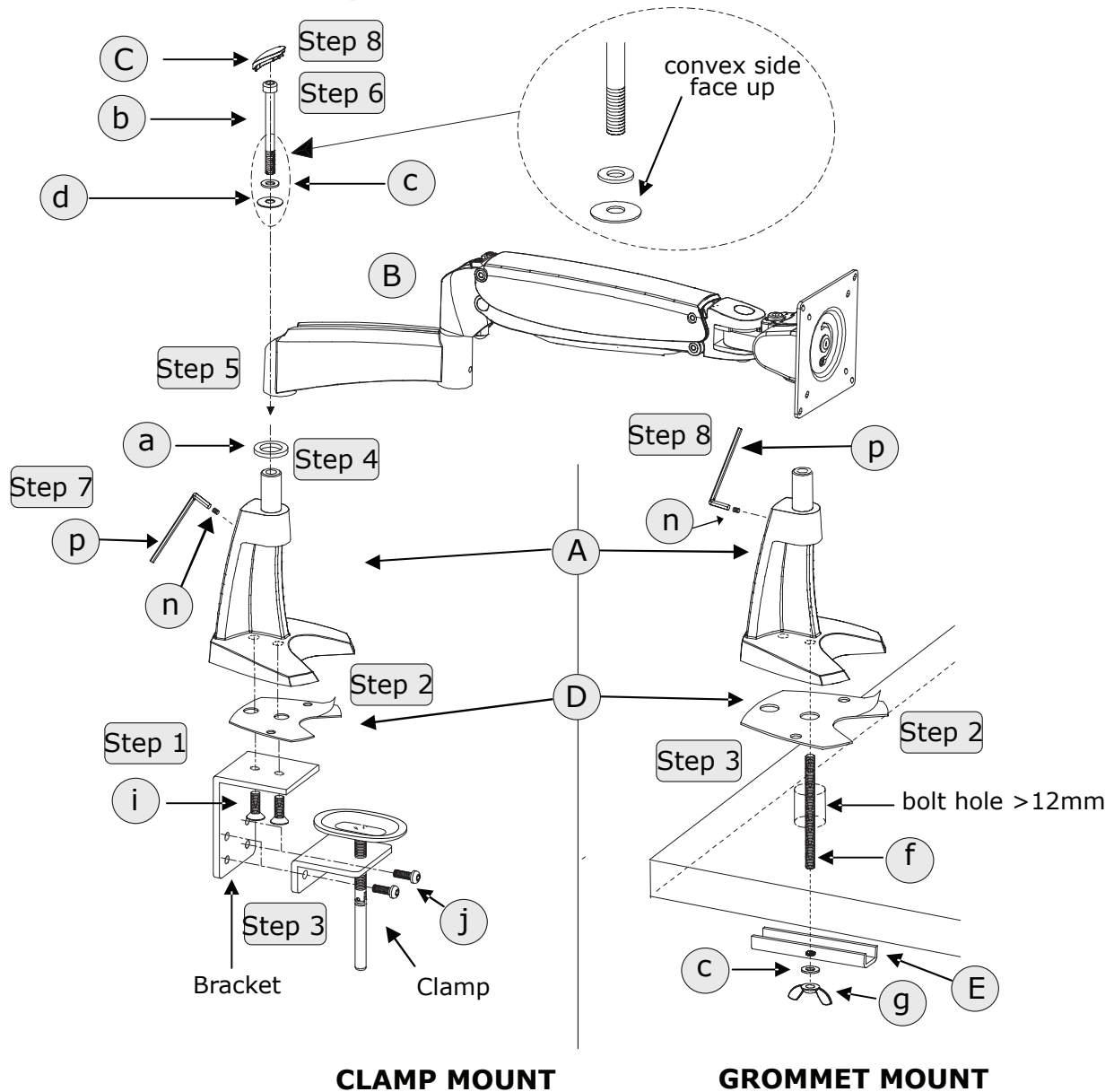
Use only a slightly damp cloth to clean the Arm surface. Never apply flammable solvents like alcohol, benzene, thinner, etc. to the product.

Do not use or mount any unsuitable/oversized/non-standard monitors on the product.

Components	
A	Desk Base with Clamp  x1
B	Arm Assembly  x1
C	Plastic Cap  x1
D	Base Cushion  x1
E	U Bracket  x1
F	Holding Tab A  x8
G	Holding Tab B  x2
H	Hook and Loop Strips  x2
J	PA TWIN-B (PA4000 units only)  x1

Fasteners	
a	Plastic Spacer  x1
b	Round Head Cap Screw  x1
c	Washer  x2
d	Disc Spring Washer  x1
e	M5 Hex Wrench  x1
f	M8 Thread Rod  x1
g	Wing Nut  x1
h	M4 Hex Wrench  x1
i	M8 Flat Head Cap Screw  x2
j	Round Head Cap Screw  x2
k	M4 6mm Screw  x4
l	M4 10mm Screw  x4
m	Cable Clip  x1
n	M5 10mm Set Screw  x1
o	M3 6mm Screw  x2
p	M2.5 Hex Wrench  x1
q	M4 8mm Screw  x1
r	M4 Washer  x1
s	M6 Hex Wrench  x1

Poise HD Assembly Instructions



Steps:

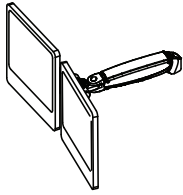
Clamp Mount:

- 1 Mount Bracket to Desk Base then tighten (i) Flat Head Cap Screws with (e) M5 Hex Wrench.
- 2 Attach (D) Base Cushion to (A) Desk Base.
- 3 Put Desk Base onto work surface then mount Clamp to the Bracket then tighten (j) Round Head Cap Screw with (e) M5 Hex Wrench.
- 4 Put (a) Plastic Spacer over (A) main shaft of Desk Base.
- 5 Put (B) Arm Assembly onto the main shaft.
- 6 Insert (b), (c) and (d) into Arm Assembly and tighten with (e) M5 Hex Wrench. Be sure arm rotates freely.
- 7 Insert (n) Set Screw in back of Desk Base and tighten with (p) M2.5 Hex Wrench.
- 8 Snap (C) Plastic Cap into the top of Arm Assembly.

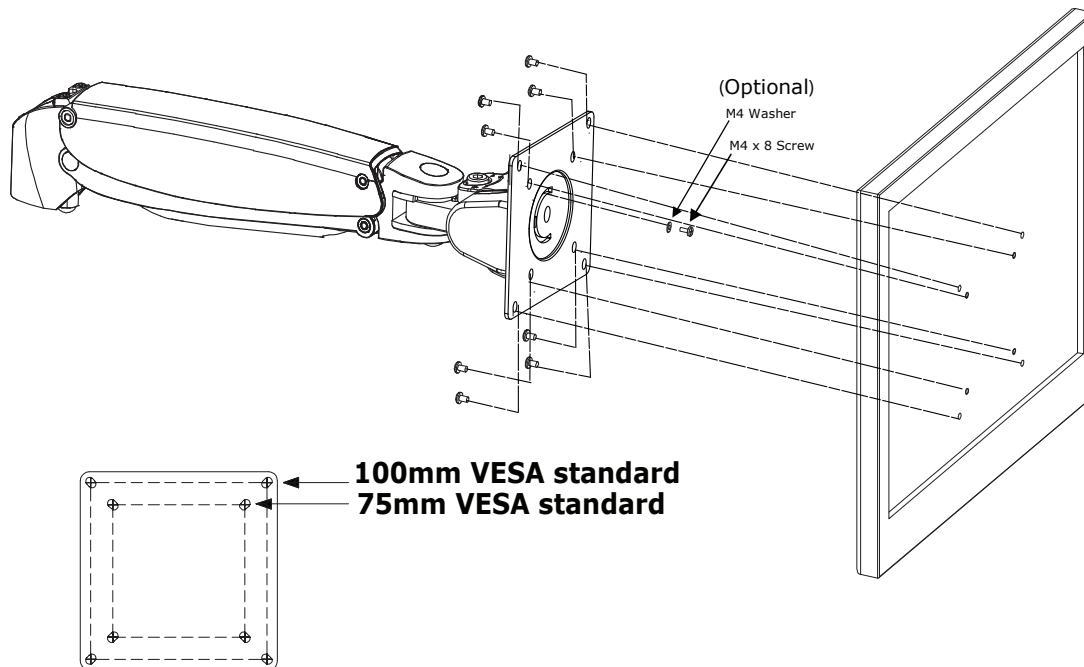
Grommet Mount:

- 1 Remove the Bracket from (A) Desk Base with (e) M5 Hex Wrench (not illustrated).
- 2 Attach (D) Base Cushion to (A) Desk Base.
- 3 Use template on page 8 to drill bolting hole in work surface if needed. Put Desk Base directly on the bolting hole of work surface and tighten (f) M8 Thread Rod with (h) M4 Hex Wrench. Insert (E) U Bracket & (c) Washer through (f) M8 Thread Rod and tighten them with (g) Wing Nut.
- 4 Follow Desk Mount Steps 4 to 8.

LCD Monitor Attachment



If you have purchased the PA4000 (Poise Twin) product, please refer now to the instructions that came in the PA TWIN-B box to assemble the Twin Arm and attach your monitors. When you have attached your monitors, continue on to the next page of these instructions.



The combination 75/100mm VESA plate is pre-mounted to the Workrite Poise.

Mount the LCD monitor directly to the front plate of the Tilt Adjustment Pivot with the supplied M4 x 6mm (or M4 x 10mm) screws or screws provided by the manufacturer.

For 100mm x 100mm or 75mm x 75mm standard, use the 4 outer corner holes or 4 inner corner holes on the front plate respectively.

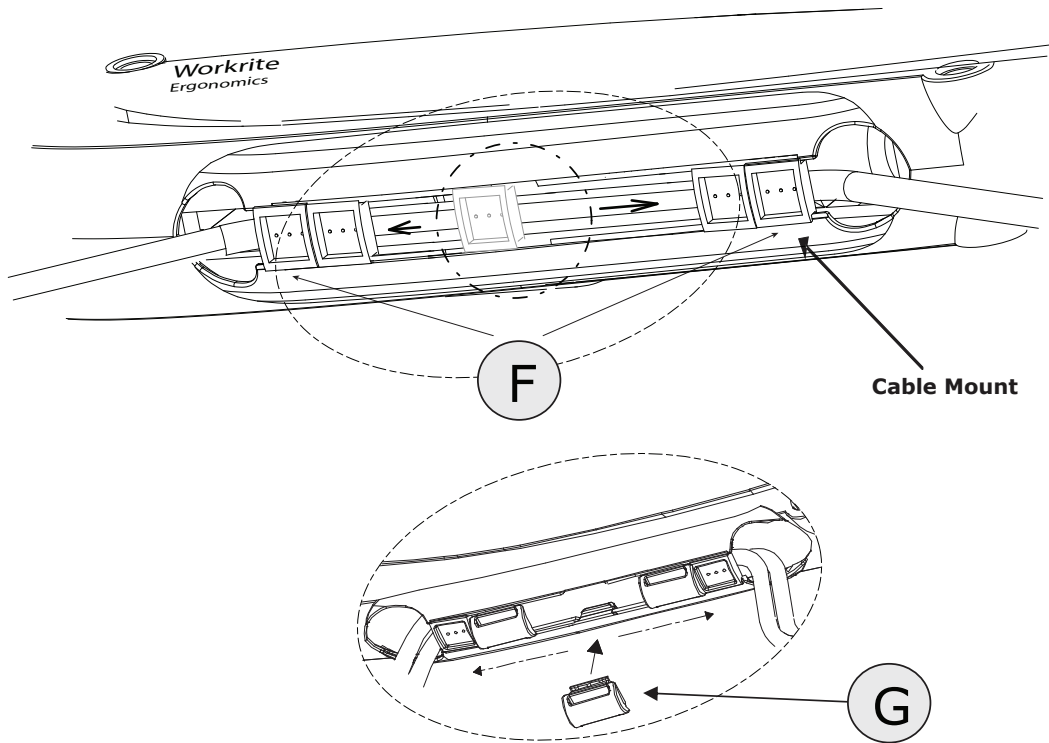
(Optional)

Attach the M4 8mm screw (q) and washer (r) to lock the pivot.

IMPORTANT

It is strongly recommended to use the mounting screws provided by the LCD monitor manufacturer. Due to the varieties of monitor mounting design, the mounting holes at the back of the LCD monitor might not be suitable for the M4 screws provided by our Product. Using unsuitable mounting screws might cause damage to the LCD monitor. Please consult your LCD monitor manufacturer if you have enquires.

Cable Management

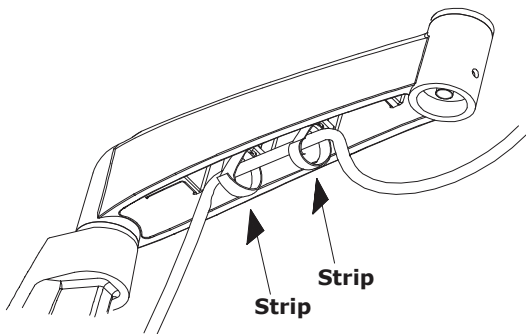


FOREARM

- 1 Thread monitor cables through Cable Mount located on underside of Forearm.
- 2 Place Holding Tabs (F) and (G) in center slot as shown and slide into place along Mount track. Use four tabs (F) and 1 tab (G) on each side. If any cables do not fit inside the track, attach them under the track with the Hook and Loop Strips (H).

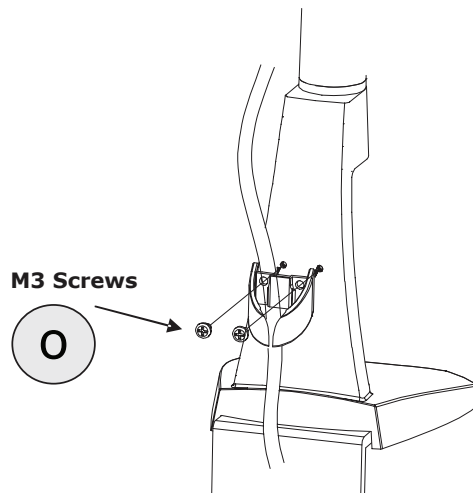
EXTENSION

Secure Hook and Loop Strips under side of Extension around monitor cables, leaving slack for monitor cables to move freely.



DESK BASE

Attach the Cable Clip to the back of the Desk Base with the supplied M3 Screws (o) and put cables into the Cable Clip.

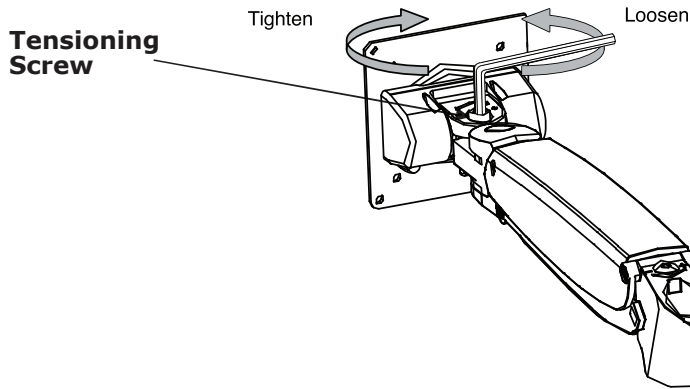


Note:

To allow free movement of monitor and Arm/Extension, please leave sufficient slack in the cables.

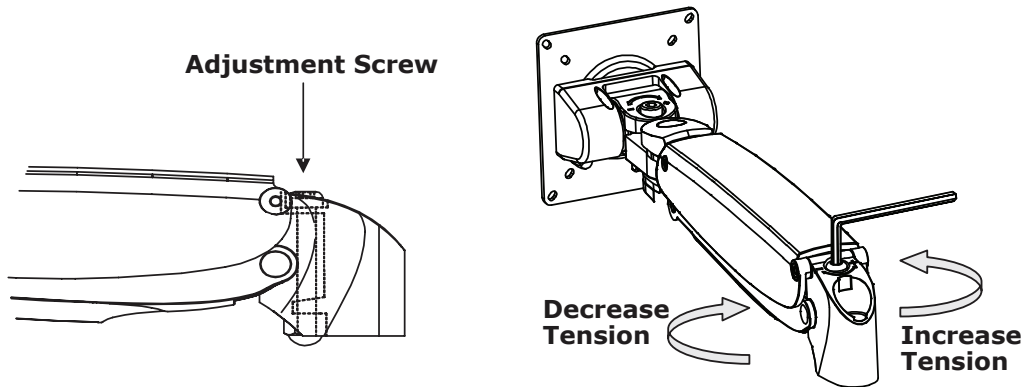
Arm Adjustment

Adjust the Monitor Tilt Action



Depending on the size of your LCD monitor, it may be required to adjust the Tilt Adjustment screw. If the monitor doesn't hold its tilt position or is too hard to tilt, adjust the screw directly behind the LCD screen with the M6 Allen wrench provided (clockwise to tighten, counter-clockwise to loosen as shown on the graphic near the adjustment screw). Check the monitor, and adjust again as necessary.

Vertical Movement



Depending on the weight of the monitor, adjustments may be required to the Arm. This can be done by using the M5 Hex wrench provided.

IMPORTANT

When performing this adjustment, the Arm must be in a HORIZONTAL position as shown above. To prevent damage to the aluminium Arm body, remove the M5 Hex Wrench before releasing the Arm from the horizontal adjustment position.

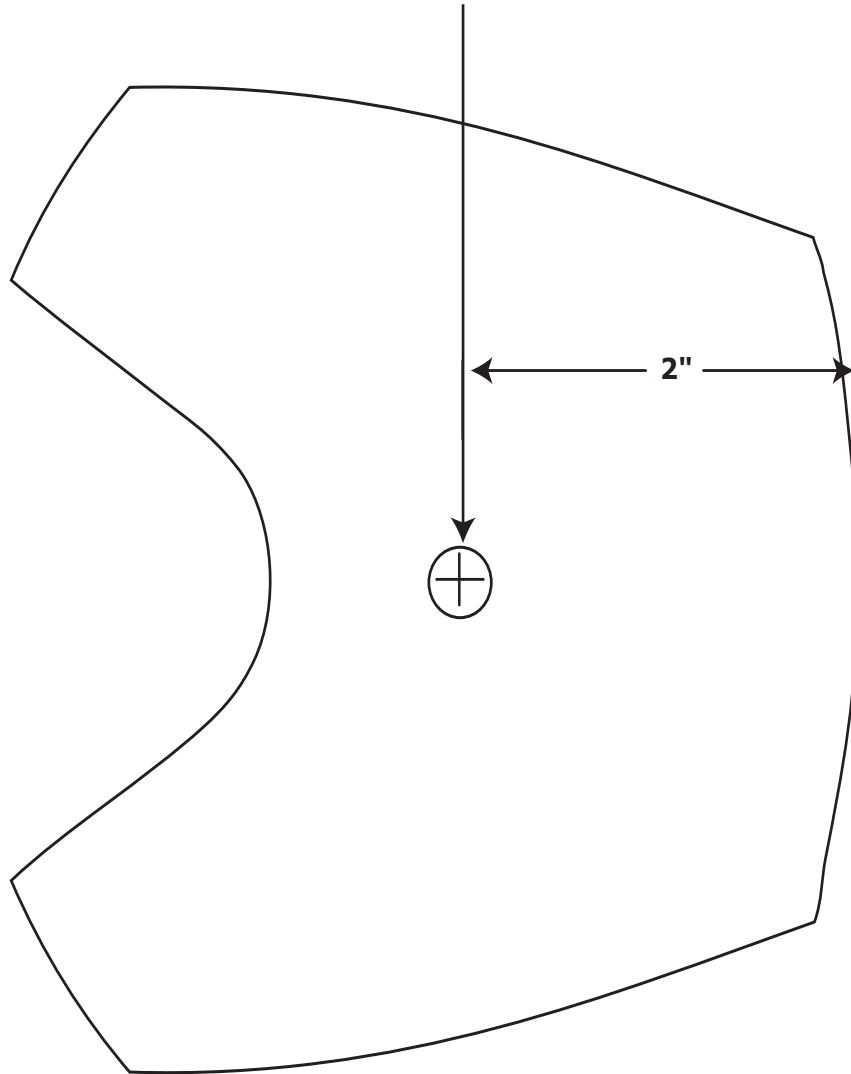
If the Arm tends to drift down or rise up when positioned, it will be necessary to make small adjustments at the Adjustment Screw. The above shows the adjusting method. The M5 Hex wrench provided should be used to make this adjustment.

If the Arm tends to rise, the M5 Hex Wrench should be turned clockwise to decrease the tension until the Arm reaches a stable position.

If the Arm tends to fall, the M5 Hex Wrench should be turned counter-clockwise to increase the tension until the Arm reaches a stable position.

Desk Base Template for Grommet Mount

Drill hole at least $\frac{1}{2}$ " in diameter



Workrite reserves the right to make changes to its products without notice. No liability is assumed for any misprinting or error in this publication. Copyright 2010. All rights reserved.