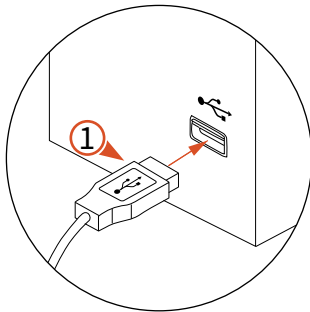


INSTALLING THE SIERRA INTERFACE KIT SOFTWARE & HARDWARE

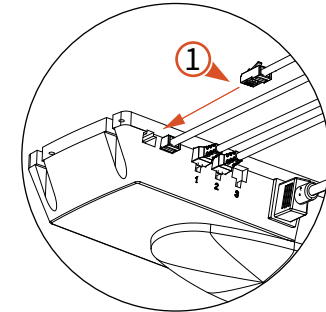
The Sierra Interface Kit is a powerful enhancement to all Workrite Sierra HX & HXL Electric Workcenters. This software & hardware installed on either a PC or Mac, allows for highly personalized user control over your workcenter. The software includes basic control like up and down, as well as three memory presets and reminders to adjust your position a number of times a day, and tracks minutes spent standing or calories burned.

① Install the Sierra Interface Kit Cable

Plug in the USB side of the Sierra Interface Cable into any available USB port on your computer. Then plug the Data end of the cable to either of the data ports on the Sierra Workcenter Control Box under your worksurface. Route your cable to account for the full travel of your workcenter. When connected, a red LED will light in the cable module will blink once on a PC or light for a few seconds on a Mac to signal that it is properly connected.



USB port on PC or Laptop



Sierra Workcenter Control Box

② Download the Sierra Interface Kit Software

Download the Sierra Interface Kit Software from this link: <http://workriteergo.com/support/sierra-interface/>. Select your operating system and follow the on-screen instructions. You'll need to agree to the End User License Agreement to start the download.

Windows 7 & 8

DOWNLOAD VERSION 1.0

Mac OS X

DOWNLOAD VERSION 1.0

Hardware Requirements:

Communication between PC/Mac and the CBD control box requires the USB cable included in the (SE-CI-USB2-B) Sierra Interface Kit. A Sierra HX or HXL Electric workcenter is also required for the Sierra Interface Kit.

Software Requirements:

Windows 7 ([with .NET version 4.5*](#))
Windows 8 or higher Operating System

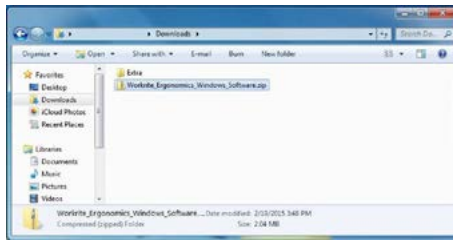
Mac OS (no special requirements)

INSTALLING THE SIERRA INTERFACE KIT SOFTWARE & HARDWARE

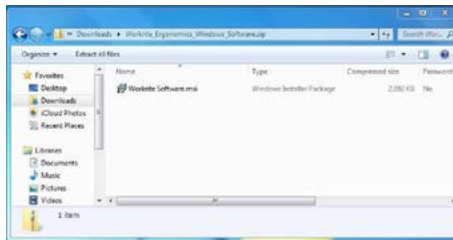
③ Launch the Software to Install

Locate the downloaded file in your Downloads folder or your default download location. Double click to install.

PC SOFTWARE INSTALL



Locate the downloaded file **Workrite_Ergonomics_Windows_Software.zip** in your Downloads folder or your default download location and double click it to reach the installation software.



Double click the file **Workrite Software.msi** to start the installation process.



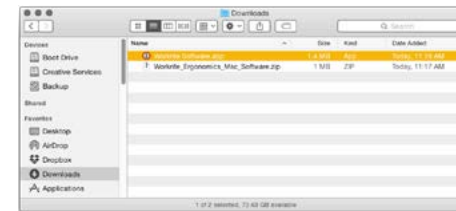
If you are prompted as to whether you would like to “Run” the software package, simply click on “Run.” The installation process will start automatically and will finish when the status box disappears.



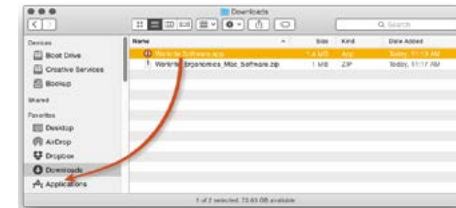
Upon installation, navigate to “Start Menu” > “All Programs” > “Workrite Software” and click on the orange icon. The Setup window will appear. If Net Framework was not previously installed on your system, you will be prompted to install the latest version before continuing.

Before we proceed to the setup covered in the User Guide, you’ll want to perform step ④ to keep the application icon conveniently located in your Windows Taskbar.

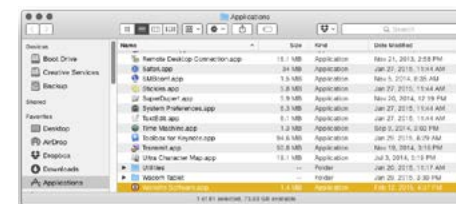
MAC SOFTWARE INSTALL



Locate the downloaded file **Workrite_Ergonomics_Mac_Software.zip** in your Downloads folder or your default download location. If it isn’t already uncompressed, simply double click to unzip the application.



Drag and drop **Workrite Software.app** to your applications folder to install the software.



Locate Workrite Software in your applications folder and double click on the app to launch it.



Once the Workrite Software has launched, click on the orange circular icon in your menu bar to start using the software.

The Mac Software is now installed. Continue to the Sierra Interface Kit User Guide to personalize the software.

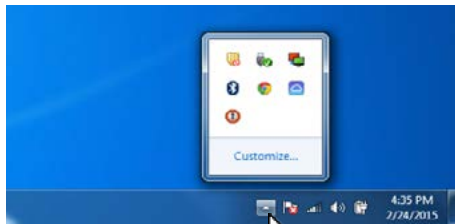
[CONTINUE TO USER GUIDE >>](#)

INSTALLING THE SIERRA INTERFACE KIT SOFTWARE & HARDWARE

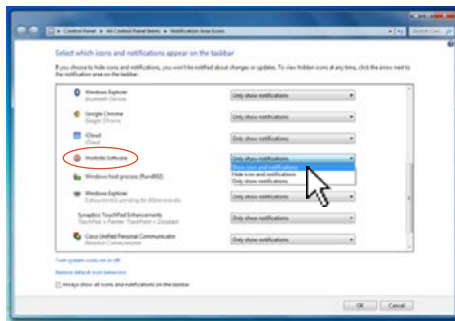
④ Keeping the application icon in your Windows Taskbar

To keep the icon in your Taskbar for easy access to the software, follow these steps. If you choose no to do this step, the application icon will reside in the “Hidden Icons” window.

PC SOFTWARE INSTALL (CONTINUED)

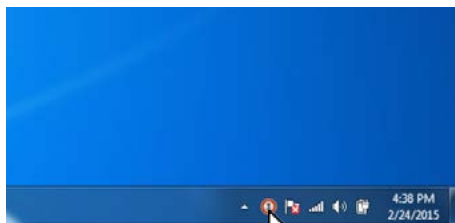


Click on the “Show Hidden Icons” Taskbar arrow to open your hidden icons. Click on “Customize.”



Locate “Workrite Software” notification options and select “Show Icons and Notifications.”

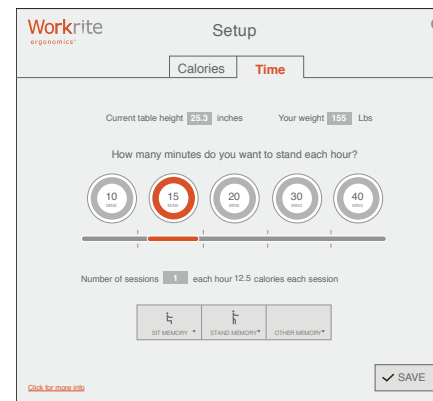
Save settings and close the window by clicking on “OK.”



You will now have the Workrite Software icon in your Taskbar for convenient access.

A “right click” on this icon will allow you to Exit the application.

When opening the program on a PC for the first time, the Setup screen will appear. This is where you will personalize your information.



[CONTINUE TO USER GUIDE >>](#)