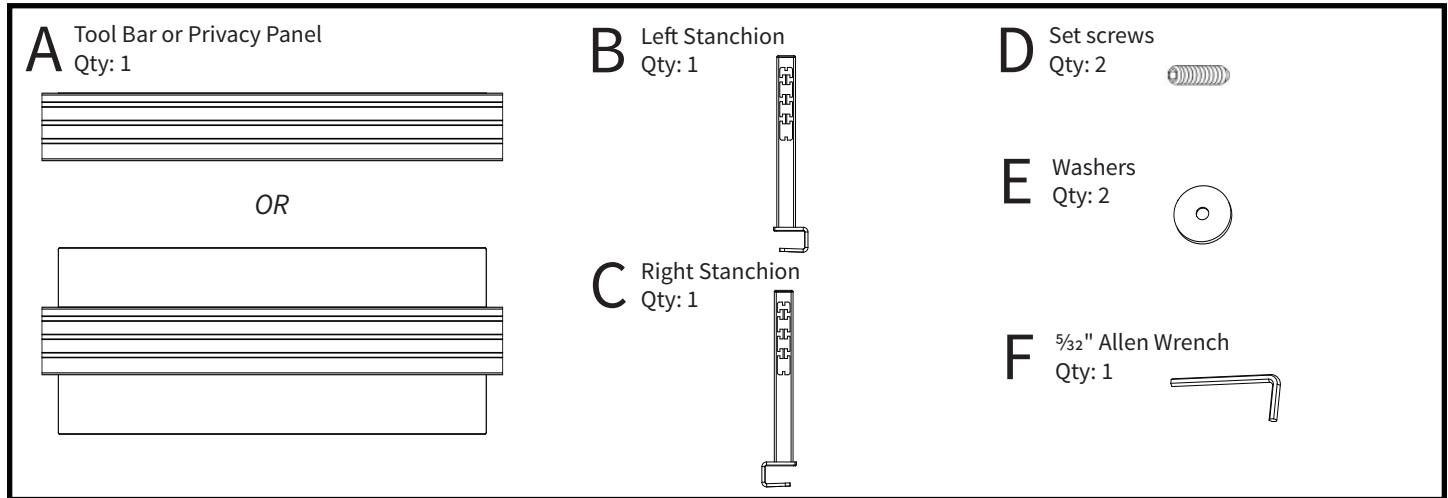


Assembly Instructions: Tool Bar 980-XX-X Privacy Panel 981-XX-X

Parts Included



Tools Required

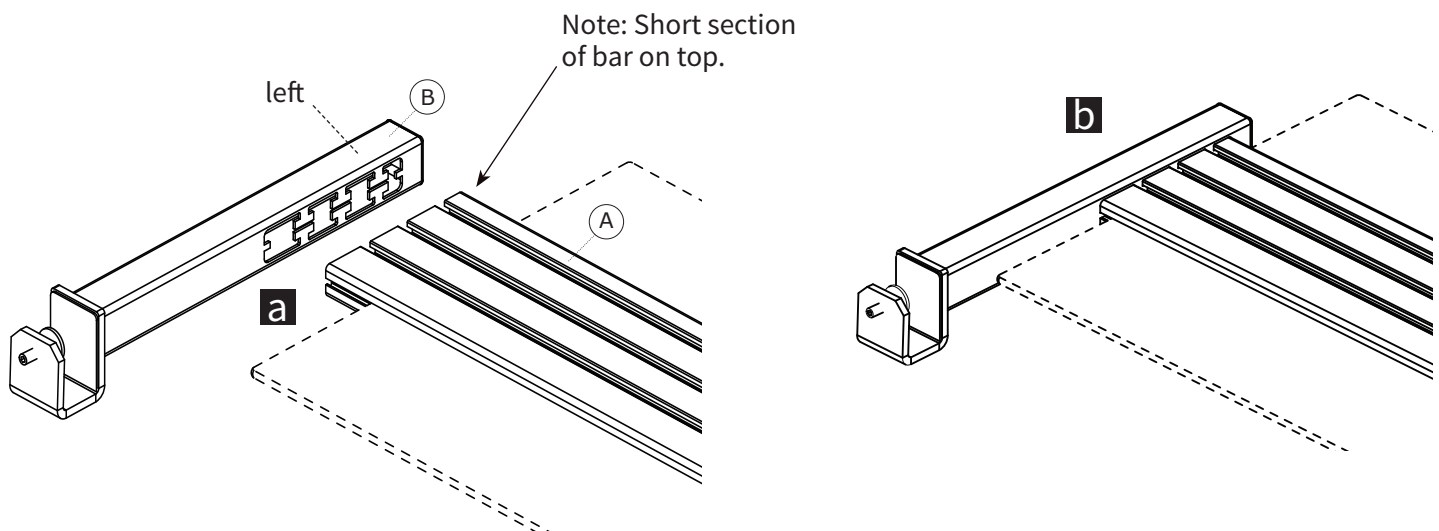
Verify that you have all the hardware needed for the assembly: 5/32" Allen Wrench.



We suggest two people to install longer versions of Tool Bar/Privacy Panel.

1 Attach Tool Bar or Privacy Panel to Stanchions

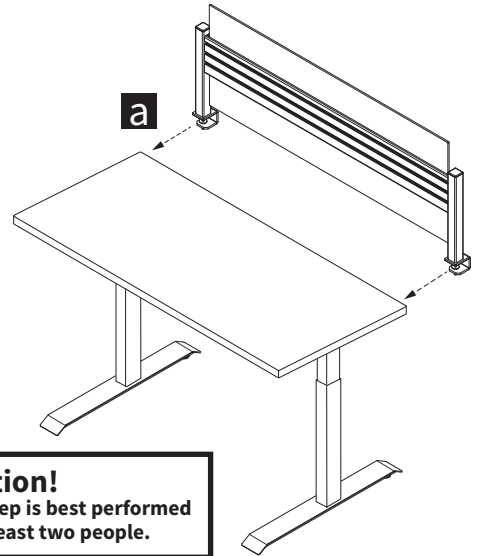
- a** Align Tool Bar with cut-outs in the Stanchion. **Note: The short section of the bar is on top.**
- b** Push Tool Bar into cut-outs in the Left Stanchion (B) until fully seated.
Repeat for the Right Stanchion (C).



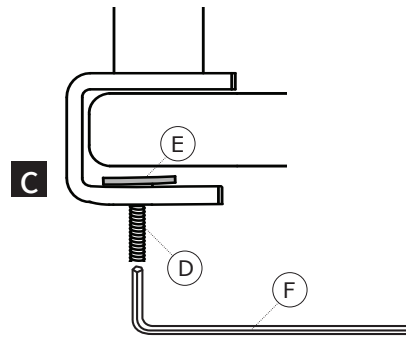
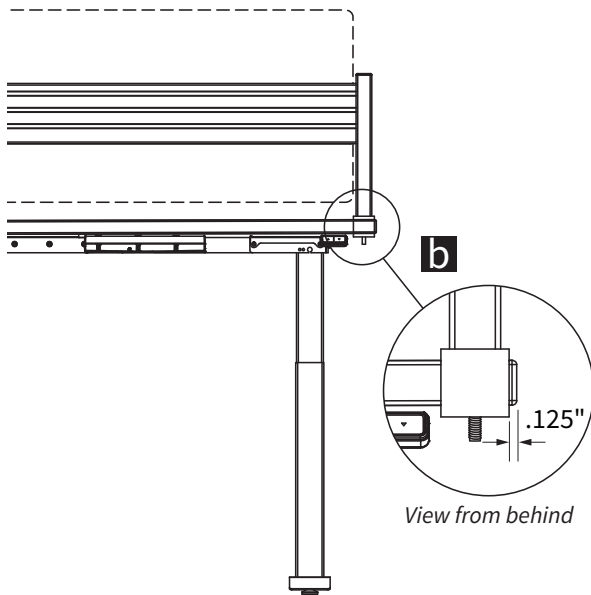
2 Attach Tool Bar to Worksurface

Note: This step is best performed by at least two people!

- a** Place Tool Bar or Privacy Panel on the back edge of your workcenter. One person should hold the Tool Bar or Privacy Panel in place while another performs the next two steps.
- b** Thread Set Screws (D) into bottom of Stanchions until screw is visible. Slide Tool Bar onto back of worksurface. Center left to right.
- c** Place one Washer (E) between the bottom of the worksurface and the Stanchion, resting it on the top of the Set Screw. Tighten the Set Screw with the M5 Allen Wrench (F) provided. Repeat on other side.



Caution!
This step is best performed by at least two people.



Warning!
Do not over tighten set screw. You may damage the Tool Bar or your top.

3 Attach Accessories

Attach Accessories to Tool Bar with the hook facing downward. Insert the hook into the groove of the Tool Bar and then push down.

