
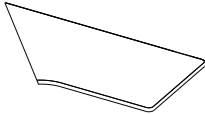


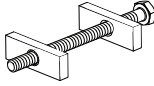
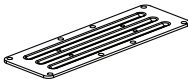


Assembly Instructions for two-piece Worksurfaces

Parts by Carton

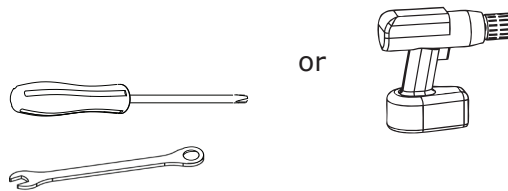
<p>A Right Top Half (size and shape differ for each model) Qty: 1</p> 	<p>B Left Top Half (size and shape differ for each model) Qty: 1</p> 	<p>C Biscuits Qty: 1 - 3</p>  <p>F #12 x 3/4" Screws Qty: 8 - 24</p> 	<p>D Draw Bolt with nut and washer Qty: 1 - 3</p>  <p>G Brackets Qty: 1 - 3</p> 
--	---	---	--

Verify that you have all the hardware and tools needed for the assembly

You will also need:

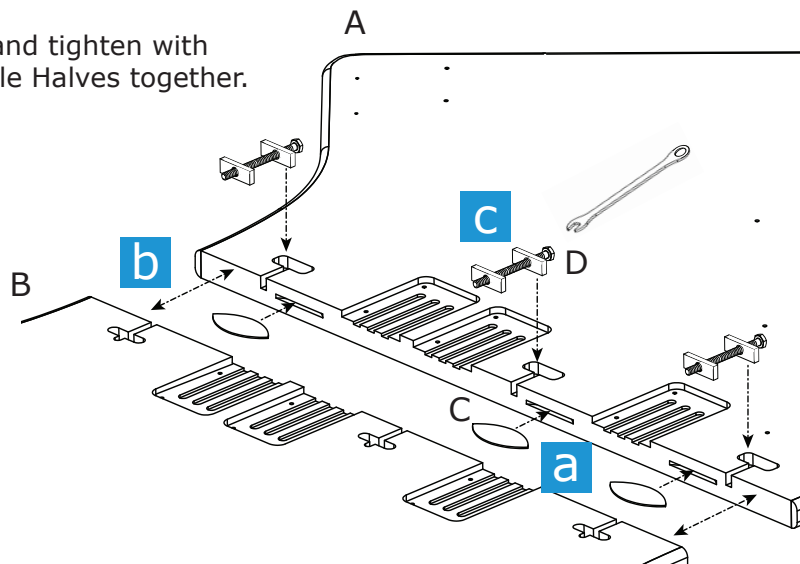
#3 tip Phillips screwdriver or drill bit

7/16" Open-end wrench



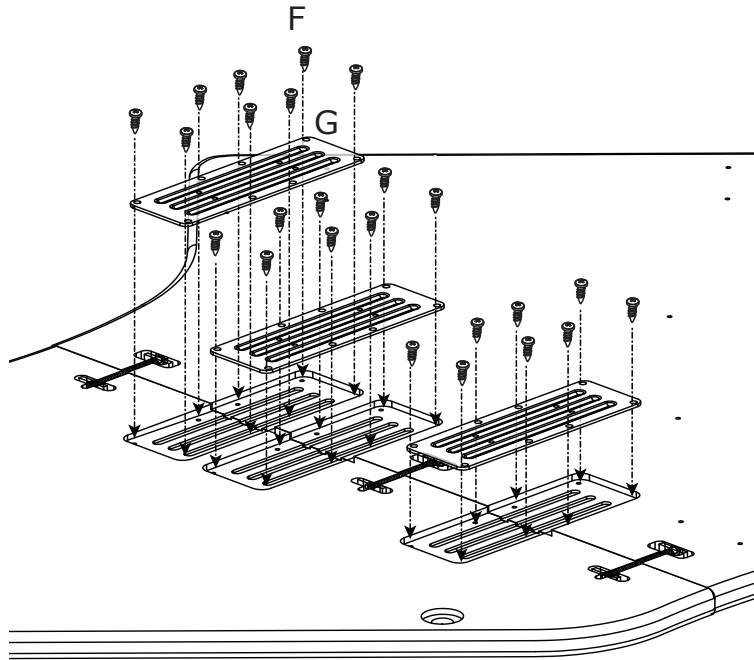
1 Join Halves using Biscuits and Draw Bolts

- a** Insert Biscuits in slots.
- b** Push Worksurface halves together.
- c** Place Draw Bolts into slots, and tighten with wrench, while squeezing Table Halves together.



2 Attach Brackets

Insert Brackets into recessed cuts. Secure with Phillips-head screws.



3 Ensure Fit

It might be necessary to level the seam after the worksurface is assembled. If this is required, loosen the Draw Bolts about $\frac{3}{4}$ turn. Tap the raised side with a soft face hammer, or protect the surface with a pad and use a regular hammer, until the surface is level. Then retighten the bolts.