



## A SIMPLE SOLUTION FOR THE HEALTHY WORKPLACE

The Cascade counterbalance base is a great alternative to electric workcenters for areas where frequent adjustments are not required, or for any area where electric power may not be readily available.

When properly adjusted, Cascade balances payloads from zero to 85 pounds. Cascade adjusts quickly and smoothly to the desired height by simply pulling a mechanical trigger mechanism and manually moving the worksurface up or down as required.

Cascade will accommodate a wide range of rectangular worksurfaces, features a unique flat foot design, and is available in silver.



*Cascade easily moves with a squeeze of the counterbalance trigger.*

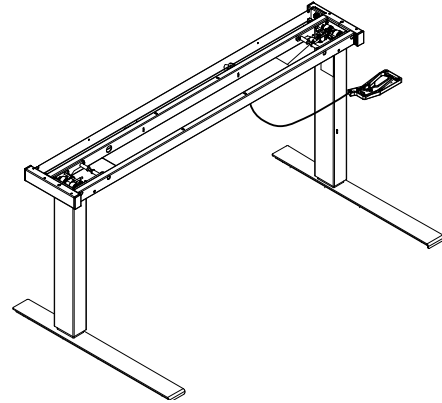
# CASCADE™ COUNTERBALANCE BASE



## Cascade Counterbalance Base

### Specifications

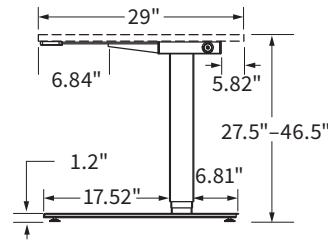
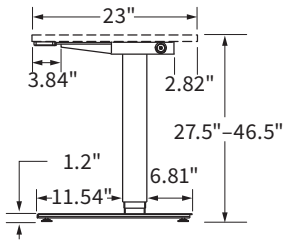
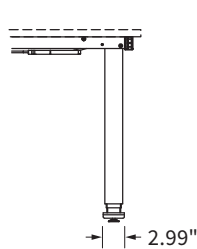
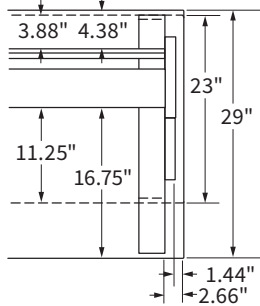
- Base options: 2-leg base
- Foot options: Cascade foot kit only
- Control options: Manual trigger
- 24" or 30" depths
- Widths from 48" to 72" depending on shape
- Finish options: Silver
- Height range: 27.5" to 46.5"
- Payload capacity: 48" W: 65 lb.  
60" W: 75 lb.  
72" W: 85 lb.



### Options sold separately:

- Laminated Worksurfaces: Any laminate and edge treatment in the Workrite program
- Workrite frame sets can also be used with existing worksurfaces or new worksurfaces from other manufacturers

### Dimensions



Casters are not available on Cascade bases

### Cascade Bases w/Feet

#### 2-Leg Shapes



#### Model #

- CC4824-S
- CC6024-S
- CC7224-S
- CC4830-S
- CC6030-S
- CC7230-S

## HOW TO CONFIGURE YOUR WORKSURFACE

### Select a worksurface laminate & edgeband

Workrite's standard laminated worksurface program features 19 popular Wilsonart® laminates with coordinating 3 mm edgeband options. Please refer to the Materials & Finishes tab of the Workrite binder for laminate and edgeband options.