



GREATER FLEXIBILITY FOR WORKSPACE DESIGN

Essentia, the newest and most exciting member of Workrite's height-adjustable workcenter portfolio. Featuring our exclusive industrial design, an inductive touch control switch with 6 memory presets, and adjustable stretchers that provide greater flexibility for work space design, Essentia is truly in a league of its own.

Essentia is available in 2-leg or 3-leg configurations, meets BIFMA G1-2013 standards for adjustability, exceeds BIFMA X5.5 requirements for durability, is UL certified, and Greenguard certified. Essentia is, quite simply, one of the highest quality value priced workcenters in the market today!



Three user pre-sets for both sit and stand equal six total programmable settings.



Swipe a finger over the touch control to lock or unlock the position of the workcenter.

ESSENTIA ELECTRIC FRAME SET

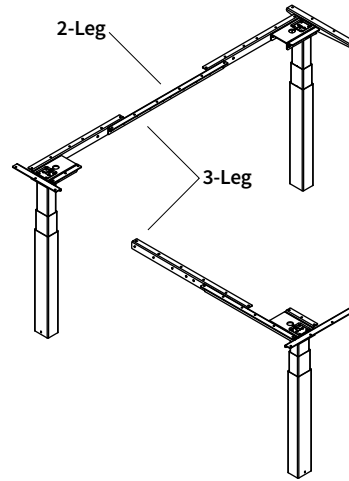


Essentia Electric Frame Set

All Frame Sets include: legs, brackets, motor(s) and cables.

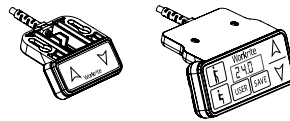
Specifications:

- Frame options: 2-leg and 3-leg frames
- Compatible with 24" or 30" deep worksurfaces
- Widths from 34" to 84" depending on shape
- Finish options: silver, charcoal, and white
- Height range: 22.5" to 48.7"
- Payload capacity: 225 pounds for 2-leg models
300 pounds for 3-leg models
- Travel speed: 1.8 inches per second
- Max power draw: 120 V, 60 Hz, 8 A (maximum)
- Standby power: 0.3 W
- Workrite Essentia has achieved GREENGUARD GOLD Certification
- UL962 Certified when paired with Workrite worksurface



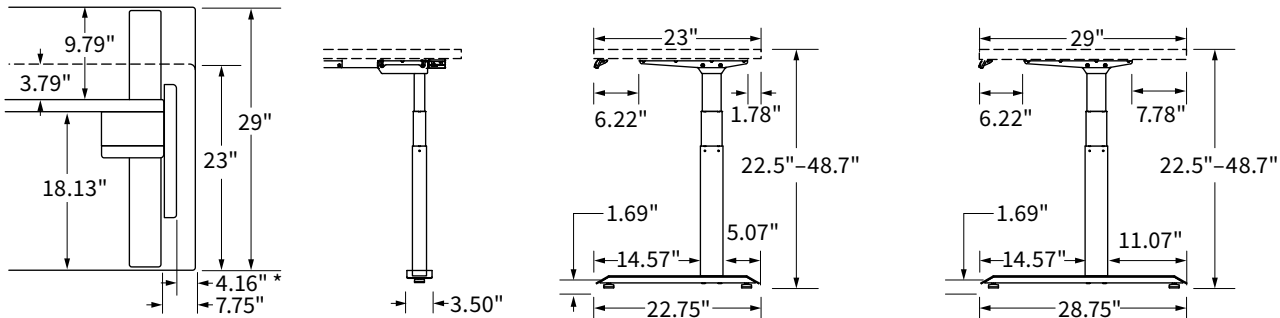
Options sold separately:

- Control options: Essentia Basic Switch
Essentia Programmable Switch



- Laminated Worksurfaces: Any laminate and edge treatment in the Workrite program
- Workrite frame sets can also be used with existing worksurfaces or new worksurfaces from other manufacturers

Dimensions





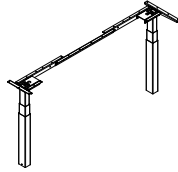
Products listed on this page are available through GSA Contract GS-28F-0030S SIN #711-2 (Schedule 71)

ESSENTIA ELECTRIC FRAME SET

Essentia Frame Sets

For 2-Leg Shapes

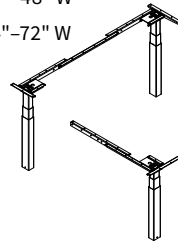
- Essentia Frame Set, 30"-48" Wide
- Essentia Frame Set, 54"-72" Wide
- Essentia Frame Set, 78"-90" Wide



	Model #			Weight	US \$ List	CAN \$ List	Quick Ship
	Silver	Charcoal	White				
Essentia Frame Set, 30"-48" Wide	ES3E30-48-S	ES3E30-48-C	ES3E30-48-W	42	\$1,101	\$1,412	●*
Essentia Frame Set, 54"-72" Wide	ES3E54-72-S	ES3E54-72-C	ES3E54-72-W	48	\$1,141	\$1,463	●*
Essentia Frame Set, 78"-90" Wide	ES3E78-90-S	ES3E78-90-C	ES3E78-90-W	57	\$1,212	\$1,554	

For 3-Leg Shapes

- Offset Corners from 54"-72" W x 42"-48" W
- Equal & Offset Corners from 54"-72" W x 54"-72" W
- Offset Corners from 78"-90" W x 42"-48" W
- Offset Corners from 78"-90" W x 54"-72" W

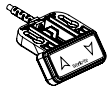


	Model #			Weight	US \$ List	CAN \$ List	Quick Ship
	Silver	Charcoal	White				
Offset Corners from 54"-72" W x 42"-48" W	ES3E5472-4248OC-S	ES3E5472-4248OC-C	ES3E5472-4248OC-W	68	\$1,718	\$2,203	
Equal & Offset Corners from 54"-72" W x 54"-72" W	ES3E5472EOC-S	ES3E5472EOC-C	ES3E5472EOC-W	70	\$1,758	\$2,254	
Offset Corners from 78"-90" W x 42"-48" W	ES3E7890-4248OC-S	ES3E7890-4248OC-C	ES3E7890-4248OC-W	72	\$1,728	\$2,215	
Offset Corners from 78"-90" W x 54"-72" W	ES3E7890-5472OC-S	ES3E7890-5472OC-C	ES3E7890-5472OC-W	81	\$1,760	\$2,256	

Essentia Workcenter Controls

Essentia Standard Switch

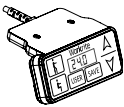
- Simple up/down button control switch
- Includes cable management & mounting hardware
- Not interchangeable with STDSWITCH



Model #	Weight	US \$ List	CAN \$ List	Quick Ship
ES-B-SWITCH	1	\$35	\$45	

Essentia Programmable Switch

- Digital height readout with manual up/down control buttons and three user sit & stand memory pre-sets (six total)
- Inductive touch control prevents accidental movement
- Programmable upper and lower height limits
- Not interchangeable with PROSWITCH

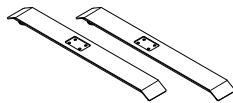


ES-P-SWITCH	1	\$105	\$135	●
-------------	---	-------	-------	---

Essentia Workcenter Feet

Essentia Flat Foot Kit

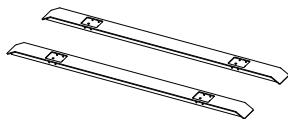
- Reinforced steel construction for added stability
- Sold as a pair for a single workstation



Worksurface Depth	Model #			Weight	US \$ List	CAN \$ List	Quick Ship
	Silver	Charcoal	White				
24"	ES-FS24-S	ES-FS24-C	ES-FS24-W	15	\$83	\$106	●*
30"	ES-FS30-S	ES-FS30-C	ES-FS30-W	18	\$93	\$119	●*
Dual Depth	ES-FS2430-S	ES-FS2430-C	ES-FS2430-W	17	\$88	\$113	

Essentia Bench Foot Kit, Dual Station

- Perfectly align 2 workstations back-to-back
- Reinforced steel construction for added stability
- Sold as a pair for 2 workstations



Worksurface Depth	Model #			Weight	US \$ List	CAN \$ List	Quick Ship
	Silver	Charcoal	White				
30"	ES-BFK48-S	ES-BFK48-C	ES-BFK48-W	48	\$247	\$317	

* Silver only on Quick Ship

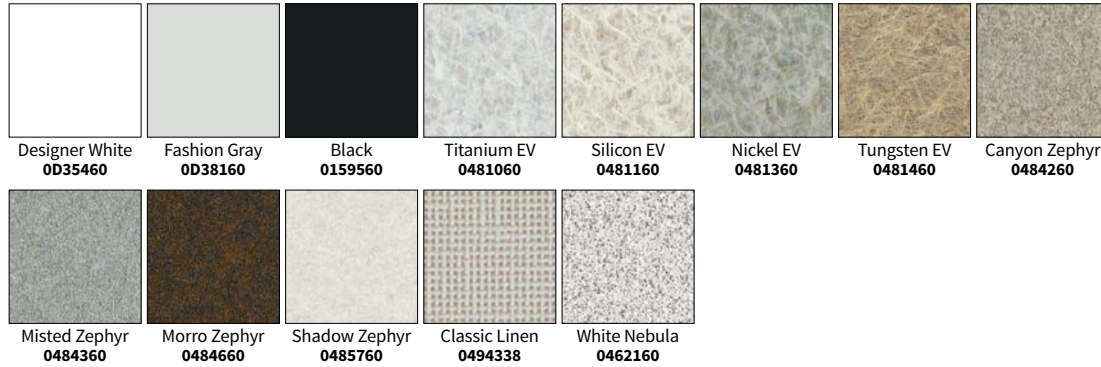


HOW TO CONFIGURE YOUR WORKSURFACE

Select a worksurface laminate & edgeband

Workrite's standard laminated worksurface program features 25 popular Wilsonart® laminates with coordinating 3 mm edgeband options. For larger, more accurate swatches of available laminates, and suggested laminate to edgeband pairings, please refer to the Materials & Finishes tab of the Workrite binder.

Laminate Price Tier 1



Laminate Price Tier 2



Laminate Price Tier 3



Note: Due to printing limitations, these colors are not guaranteed to be accurately reproduced. For best results order actual Laminate Material Samples by calling (800)959-9675.

Edgebands



A guide to the laminate model

Laminate color Edgeband color

0705460-152

This example is for a top in Wild Cherry with Rainier Cherry 3 mm edgeband.