



## VERSATILE SOLUTION FOR MOUSE INTENSIVE APPLICATIONS

The Revo keyboard platform features a versatile Mouse-Over/Mouse-Level platform designed for use in mouse intensive or limited reach applications for both right and left handed users. Revo is ideal for straight or corner workspace applications.

Revo is available as a solo platform or as part of a complete system that includes our Pinnacle 2 keyboard arm with maintenance-free 17" or 22" ball bearing track. The platform is constructed from durable ultra-thin phenolic and features a built-in document holder and cable manager.

The Revo platform comes with a Lifetime Warranty and will provide years of reliable, maintenance-free performance and reliability.



*Quickly reposition the mouse platform for left or right handed users, without tools.*



*Independent mouse platform tilt keeps the mouse platform flat even if your keyboard is at an angle.*

# REVO™

Products listed on this page are available through GSA Contract GS-28F-0030S SIN #711-2 (Schedule 71)



## Revo System

### Keyboard platform:

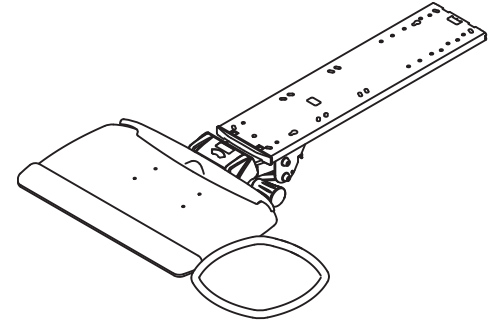
- Includes Optimizer document holder & cable management
- UltraThin™ .25" solid phenolic construction
- Removable memory foam palm support
- Available in black

### Mouse surface:

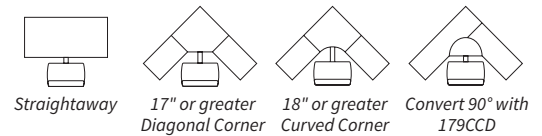
- Mouse-Over™ & Mouse-Level positioning
- Independent mouse tilt
- Right/left reversible with no tools required
- Mouse area palm support sold separately

### Keyboard arm:

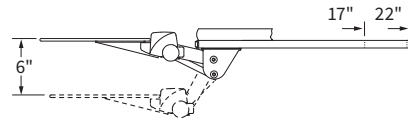
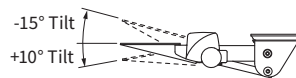
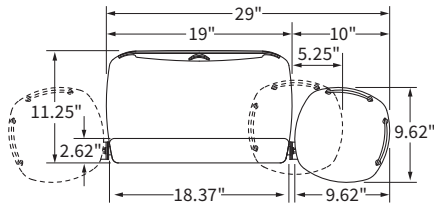
- System includes 3170 Pinnacle 2 keyboard arm
- Adjusts from flush to 6" below work surface
- No knob/no lever Lift-n-Lock height adjustment
- 25° tilt range: -15° +10°
- ThinGlide™ maintenance-free ball bearing track
- 360° arm swivel at track
- Fully stores on 22" track
- Exceeds front of track 3" on 17" track



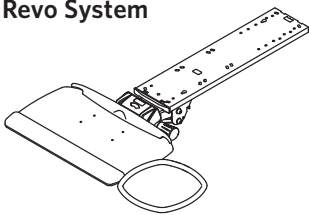
### Desk compatibility



### Dimensions



### Revo System



Track Length	Model #
17"	2227-17
22"	2227-22

#### Accessories:

Mouse Palm Support	2120-25
Additional Mouse Platform	UB2520
Positive Tilt Lockout Kit	3170-P2NPT
Corner Diagonal for 90°	179CCD-11/2B

#### Replacement Parts:

Keyboard Palm Support	AKP-KPS-18.4-25
Mouse Surface	AKP-MS-STD
Hardware Kit	AKP-HDWR-ULT
Solo Platform, Ultra-Thin	UB2100FT25