



A GREAT ALTERNATIVE FOR THE HEALTHY WORKFORCE

The Workrite Sierra HXL Crank is engineered to enable manual adjustability requiring minimal amounts of human force, making it a good alternative for the healthy workforce or for areas where frequent adjustments are not required.

The HXL Crank adjusts from 25.5"–43" and will accommodate the average male or female worker, making it a good solution for companies seeking limited height adjustability. It adjusts at a rate of 5.6 turns per inch even with up to 125 pounds of equipment on the worksurface.

Sierra HXL Crank is available in 3 contemporary finishes with two foot design options that can be selected to build the best workcenter for each specific application.



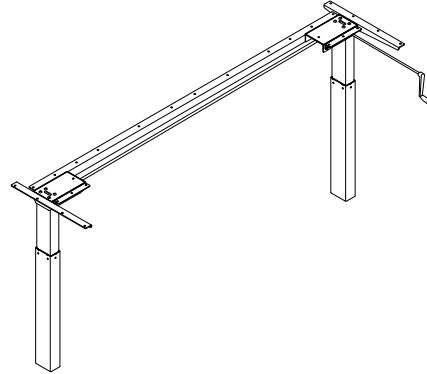
Easily raise height 1" for every 5.2 turns.

SIERRA HXL™ CRANK FRAME SET

Sierra HXL Crank Frame Set

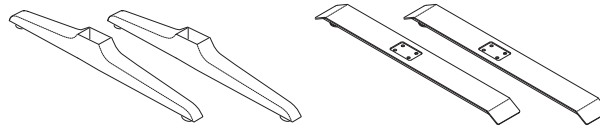
Specifications

- Frame options: 2-leg frames
- 24" or 30" depths
- Widths from 36" to 72" depending on shape
- Finish options: Silver, charcoal, and white
- Height range: 25.5" to 43"
- Payload capacity: 125 pounds
- Travel speed: 1 inch = 5.6 turns



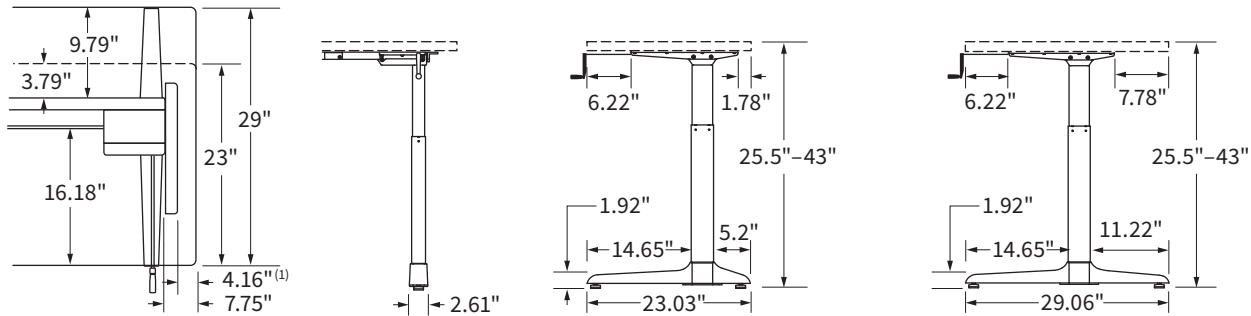
Options sold separately

- Foot options: 24" or 30" Styled Foot Kit
24" or 30" Flat Foot Kit



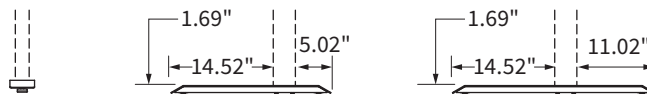
- Laminated Worksurfaces: Any laminate and edge treatment in the Workrite program
- Workrite frame sets can also be used with existing worksurfaces or new worksurfaces from other manufacturers

Dimensions



* For Peninsula and P Peninsula worksurfaces, this distance is 14.9"

Flat Foot



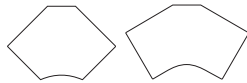


Products listed on this page are available through GSA Contract GS-28F-0030S SIN #711-2 (Schedule 71)

SIERRA HXL™ CRANK FRAME SET

Sierra HXL Crank Frame Sets

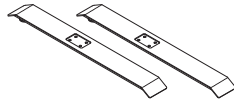
2-Leg Shapes



Crank Position	Model #		
	Silver	Charcoal	White
Front	SCFHXL36-S	SCFHXL36-C	SCFHXL36-W
	SCFHXL42-S	SCFHXL42-C	SCFHXL42-W
	SCFHXL48-S	SCFHXL48-C	SCFHXL48-W
	SCFHXL54-S	SCFHXL54-C	SCFHXL54-W
	SCFHXL60-S	SCFHXL60-C	SCFHXL60-W
	SCFHXL66-S	SCFHXL66-C	SCFHXL66-W
	SCFHXL72-S	SCFHXL72-C	SCFHXL72-W
Top	SCTHXL42-S	SCTHXL42-C	SCTHXL42-W
	SCTHXL48-S	SCTHXL48-C	SCTHXL48-W
	SCTHXL54-S	SCTHXL54-C	SCTHXL54-W

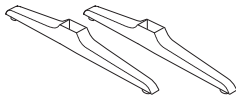
Workcenter Feet

Flat Foot Kit



Worksurface Depth	Model #		
	Silver	Charcoal	White
24"	FFK24-S	FFK24-C	FFK24-W
30"	FFK30-S	FFK30-C	FFK30-W
Dual Depth	FFK2430 -S	FFK2430 -C	FFK2430 -W

Styled Foot Kit



24"	SFK24-S	SFK24-C	SFK24-W
30"	SFK30-S	SFK30-C	SFK30-W
Dual Depth	SFK2430-S	SFK2430-C	SFK2430-W

WORKSURFACES



HOW TO CONFIGURE YOUR WORKSURFACE

Select a worksurface laminate & edgeband

Workrite's standard laminated worksurface program features 19 popular Wilsonart® laminates with coordinating 3 mm edgeband options. For larger, more accurate swatches of available laminates, please refer to the Materials & Finishes tab of the Workrite binder.

Laminates



Edgeband



A guide to the edge treatment model

Edge treatment part numbers consist of :

Worksurface size Edge type
T3423-B3

The example given is for a 34" wide, 23" deep rectangle that fits a 36" x 24" space, with 3 mm block edge.

A guide to the laminate model

Laminate part numbers consist of :

Laminate color Edgeband color
0705460-152

The example shown is for a top in Wild Cherry with Rainier Cherry 3 mm edgeband.



3mm Edge Band

Special order worksurfaces

Additional Wilsonart laminates and edge treatments may be available through our Special Order Program. Special order laminates and edge treatments are subject to minimum order quantities and require extended lead times. See the Special Order information in the Materials & Finishes tab of the Workrite binder.