



STREAMLINED & SPACE SAVING

The Willow Dual features a single post design engineered to support two lightweight monitors weighing from 1-14 pound each. The streamlined Willow Dual features a high performance spring and parallel link designed to keep monitors perfectly balanced while providing easy vertical adjustment.

Willow Dual is available with a C-Clamp or Grommet mount and the single pole design frees up valuable desk space while positioning monitors perfectly to increase both comfort and productivity.

The Willow Dual comes with a 10 year warranty ensuring years of reliable performance.



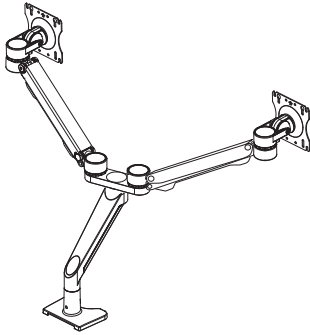
VESA quick release for easy installation.



Neatly stow cords under both arms.

WILLOW™ DUAL

Products listed on this page are available through GSA Contract GS-28F-0030S SIN #711-2 (Schedule 71).

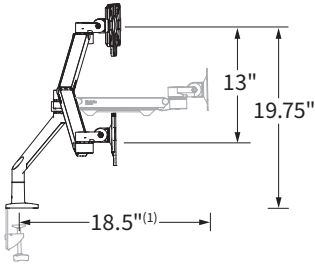


- Supports: Two 1-14 lb. monitors
- Maximum monitor height: 13.5" (full range of motion)
- Compatible monitor width: 18-23"
- Vertical Articulation: 13"
- Forward Reach: 12.5"-18.5"
- Collapsible: Down to 4.25 "
- Tilt range: 135° (+45°/-90°)
- Pivot: 180° (+/-90°)
- Rotation: 360° (portrait to landscape)
- Monitor pattern: Standard VESA (75 mm & 100 mm)
- Mounts: C-clamp or grommet Included
- Available colors: Silver
- Warranty: 10 year

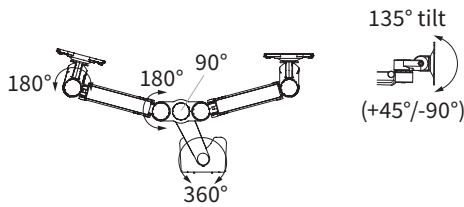
Mounting	Model #
C-Clamp	WA2200-C-S
Grommet	WA2200-G-S

Specifications

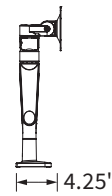
Horizontal and vertical reach



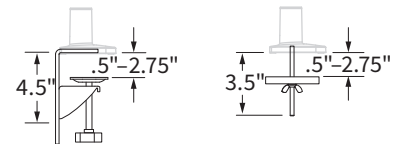
Tilt and rotation



Stowed depth



Mounting clearance



(1) Adjustment decreases as monitor width increases on dual arm configurations. Values shown are maximums.