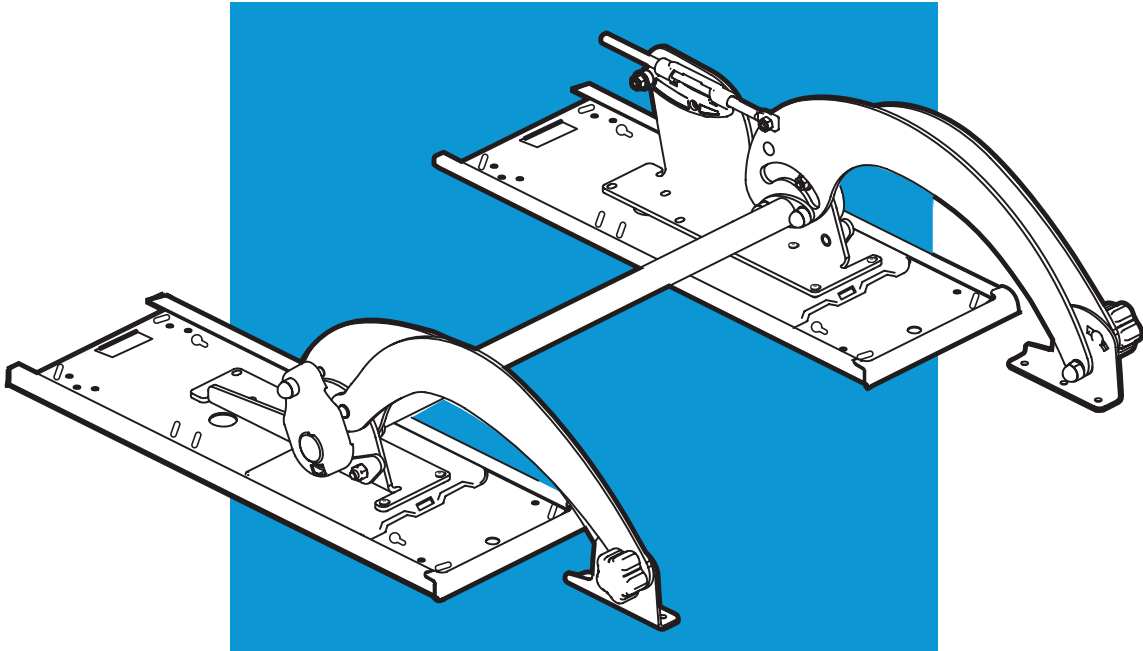




Gemini Arm Slide Kit

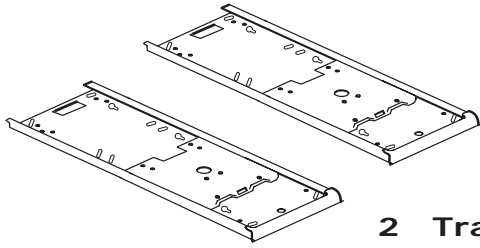
Model #2421-22TG and #2421-17TG



Installation Instructions

WorkRite Ergonomics
1450 Technology Lane
Petaluma, CA 94954
ph: 800.959.9675
fx: 800.930.8989
www.workriteergo.com

Contents



2 Tracks

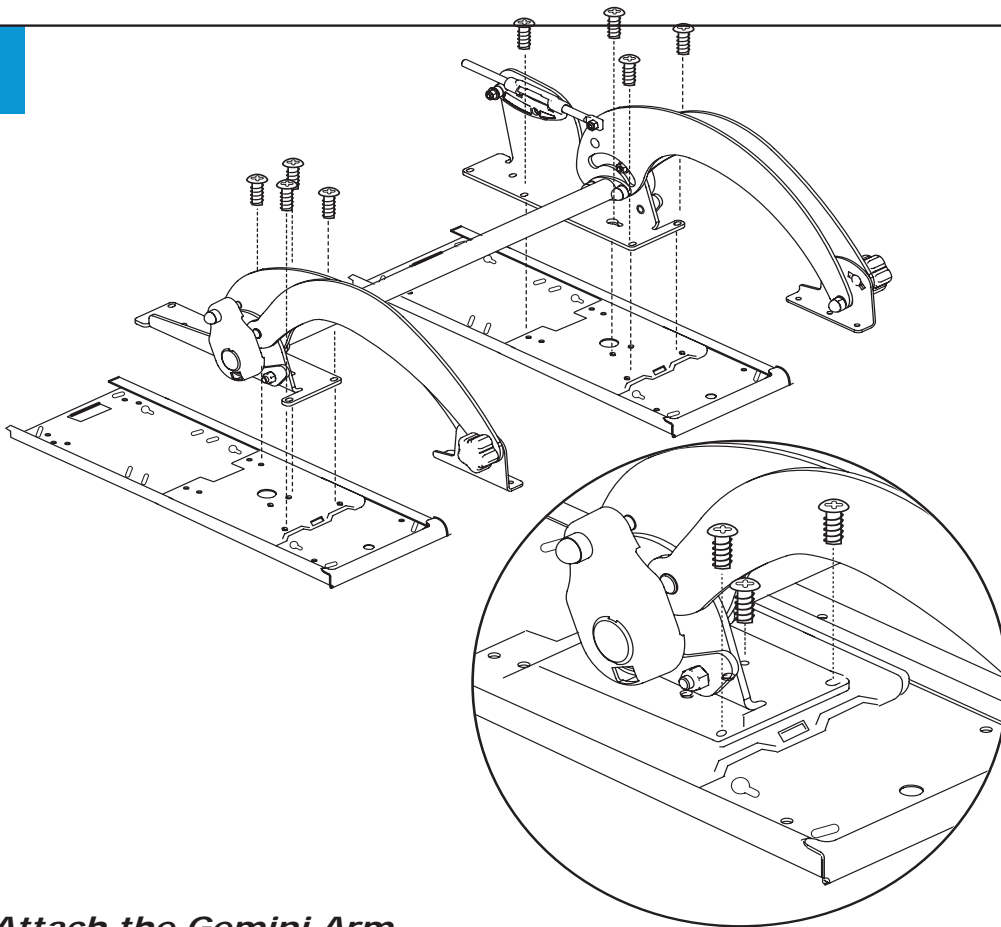


8 1/4 x 20 x 1/2" Phillips pan head screws



16 #12 X 3/4" Wood screws

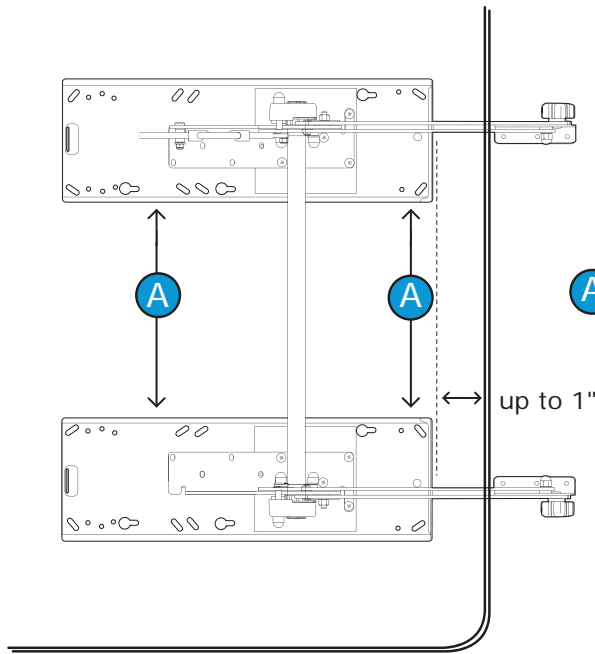
1



Attach the Gemini Arm

Install the Gemini Arm onto both glide tracks with the screws included. Tighten all screws with a Phillips screwdriver.

2



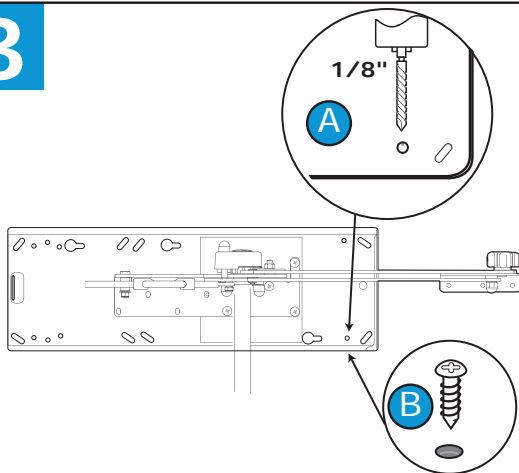
Position the Glide Tracks

If possible, remove the table surface and place it upside down before mounting the Gemini Slide Kit.

- A** Place the Gemini Slide Kit on the tabletop. Position the tracks so that **the fronts are aligned with each other** and are within 1 inch from the table edge.

! IMPORTANT
The glide tracks must be parallel for the Slide Kit to function.

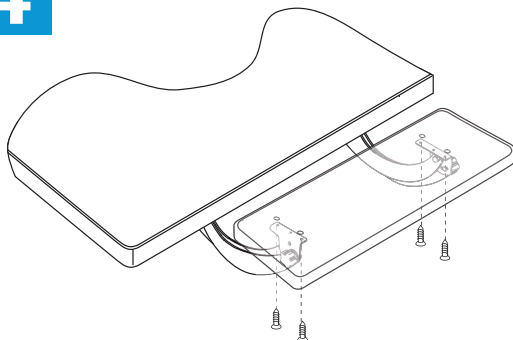
3



Attach the Glide Tracks to Table

- A** With 1/8" drill bit, drill 8 holes for each track (16 total). Use the tracks as a guide for the drill.
Be careful not to drill all the way through the table top!
- B** Attach both glide tracks onto the table with the wood screws included.

4



Attach the Keyboard Platform

Mount your keyboard platform onto the Gemini Arm with four #12 3/4" wood screws.

If installing a WorkRite platform, use fasteners supplied with platform.