

Installation Instructions

SwingArm™

Workrite
ergonomics®

SwingArm™

FLAT SCREEN MONITOR ARM

Contents

Important Safety Instructions	2
Components and Fasteners	3
SA1000 Assembly Instructions	4
LCD Monitor Attachment.....	5
Cable Management	6
Arm Adjustment	7
Desk Base Template.....	8

Important Safety Instructions

Read and understand all these safety instructions before using the product.


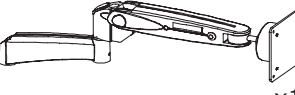



Do not mount the Desk Base of the Arm on an unstable surface or any surface that could not mount the Desk Base firmly.


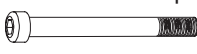

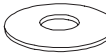




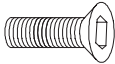
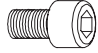






For safety reasons, the internal gas-strut of the LCD Arm product was pre-adjusted in the factory to the lowest force to prevent the Arm body from being recoiled during installation.

During installation, beware of the recoil of the Arm body when attaching or detaching the LCD monitor to the Arm. To prevent damage or injury when changing the LCD monitor, always readjust the gas-strut to the lowest force level to control the recoil of the Arm body when the LCD monitor is detached.

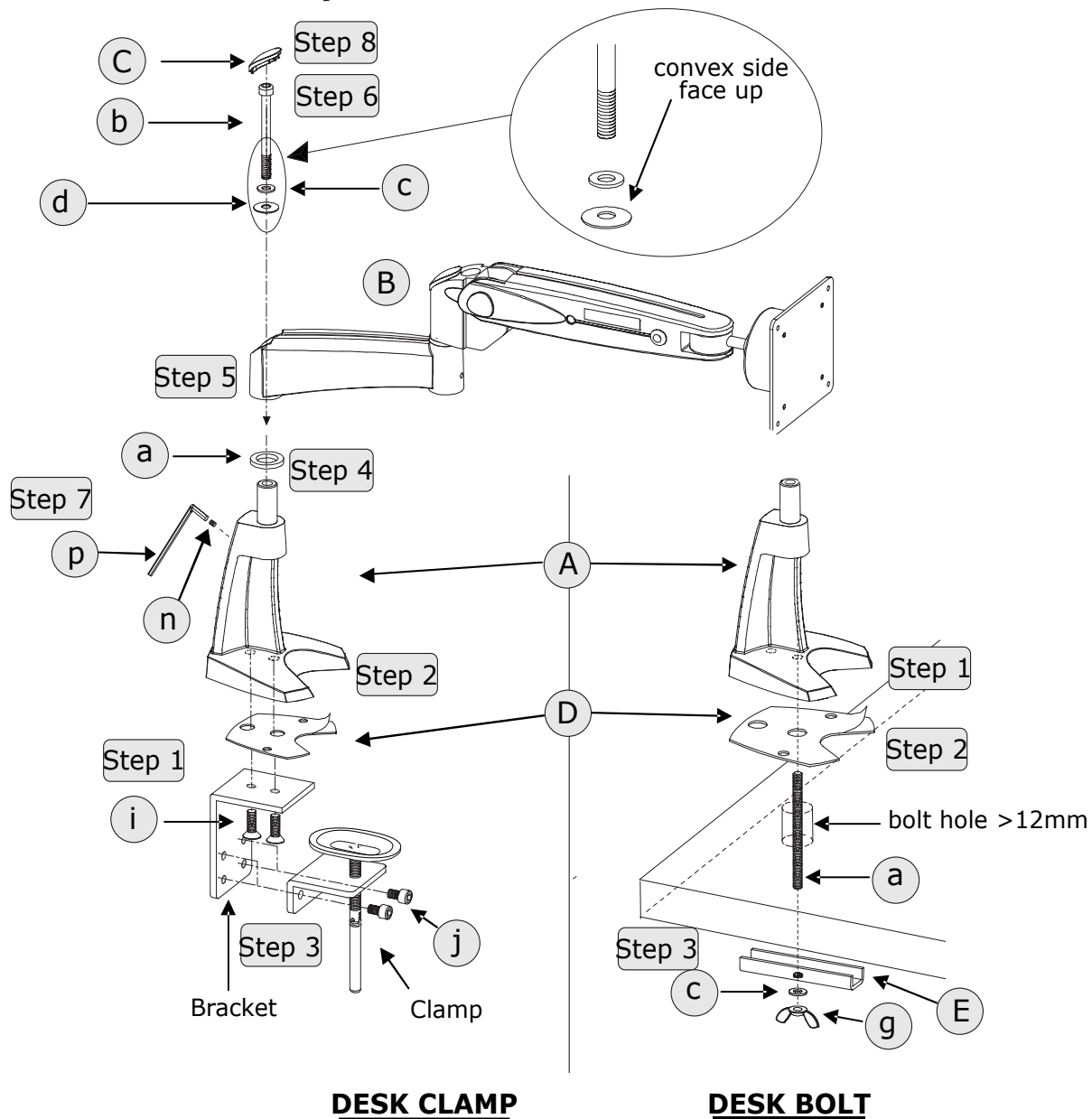
Do not attempt to disassemble, service or modify the product by yourself.

Use only a slightly damp cloth to clean the Arm surface. Never apply flammable solvents like alcohol, benzene, thinner, etc. to the product.

Components	
A Desk Base with Clamp	 x1
B Arm Assembly	 x1
C Plastic Cap	 x1
D Base Cushion	 x1
E U Bracket	 x1

Fasteners	
a Plastic Spacer	 x1
b Round Head Cap Screw	 x1
c Washer	 x2
d Disc Spring Washer	 x 1
e M5 Hex Wrench	 x1
f M8 Thread Rod	 x1
g Wing Nut	 x1
h M4 Hex Wrench	 x1
i M8 Flat Head Cap Screw	 x2
j Round Head Cap Screw	 x2
k M4 6mm Screw	 x4
l M4 10mm Screw	 x4
m Cable Clip	 x1
n M5 10mm Set Screw	 x1
o M3 6mm Screw	 x2
p M2.5 Hex Wrench	 x1

SA1000 Assembly Instructions



Steps:

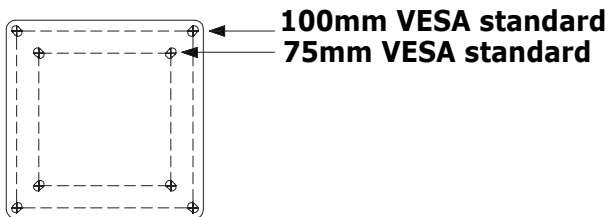
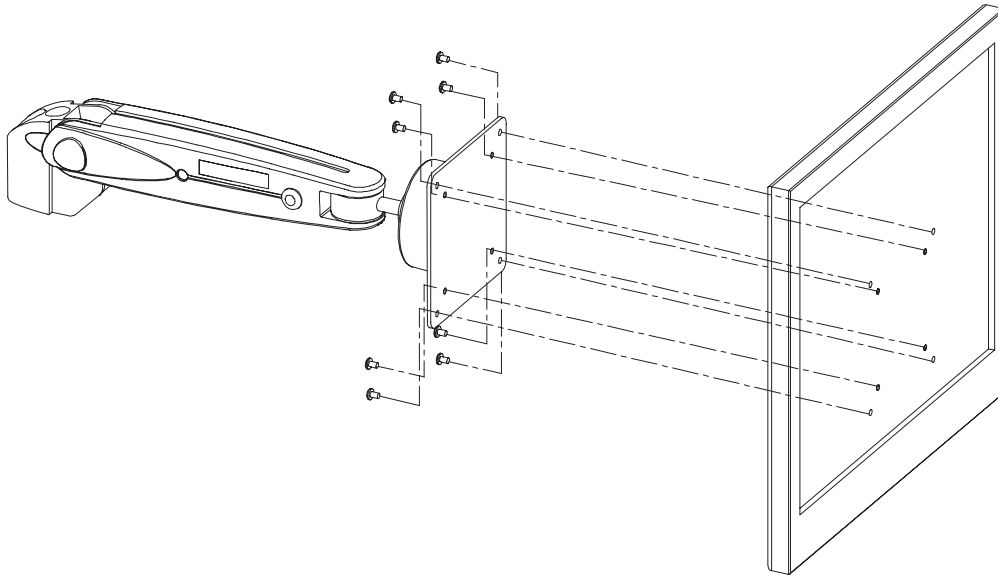
Clamp Mount:

- 1 Mount Bracket to Desk Base then tighten (i) Flat Head Cap Screw with (e) M5 Hex Wrench.
- 2 Attach (D) Base Cushion to (A) Desk Base.
- 3 Put Desk Base onto work surface then mount Clamp to the Bracket then tighten (j) Round Head Cap Screw with (e) M5 Hex Wrench.
- 4 Put (a) Plastic Spacer over (A) main shaft of Desk Base.
- 5 Put (B) Arm Assembly onto the main shaft.
- 6 Insert (b), (c) and (d) into Arm Assembly and tighten with (e) M5 Hex Wrench. Be sure arm rotates freely.
- 7 Insert (n) Set Screw in back of Desk Base and tighten with (p) M2.5 Hex Wrench.
- 8 Snap (C) Plastic Cap into the top of Arm Assembly.

Grommet Mount:

- 1 Remove the Bracket from (A) Desk Base with (e) M5 Hex Wrench.
- 2 Attach (D) Base Cushion to (A) Desk Base.
- 3 Put Desk Base directly on the bolting hole of work surface and tighten (f) M8 Thread Rod with (h) M4 Hex Wrench.
Insert (E) U Bracket & (c) Washer through (f) M8 Thread Rod and tighten them with (g) Wing Nut.
- 4 Follow Desk Mount Steps 4 to 7.

LCD Monitor Attachment



The combination 75/100mm VESA plate is pre-mounted to the SwingArm™

Mount the LCD monitor directly to the front plate of the Ball Joint Pivot with the supplied M4 x 6mm (or M4 x 10mm) screws or screws provided by the manufacturer. For 100mm x 100mm or 75mm x 75mm standard, use the 4 outer corner holes or 4 inner corner holes on the front plate respectively.

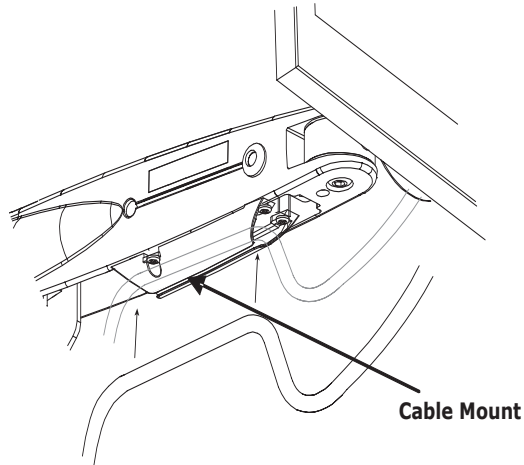
IMPORTANT

It is strongly recommended to use the mounting screws provided by the LCD monitor manufacturer. Due to the varieties of monitor mounting design, the mounting holes at the back of the LCD monitor might not be suitable for the M4 screws provided by our Product. Using unsuitable mounting screws might cause damage to the LCD monitor. Please consult your LCD monitor manufacturer if you have enquires.

Cable Management

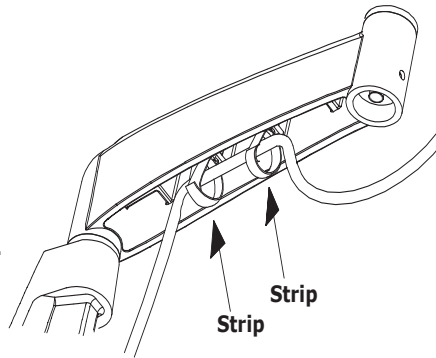
FOREARM

Thread monitor cable through Cable Mount located on underside of Forearm.



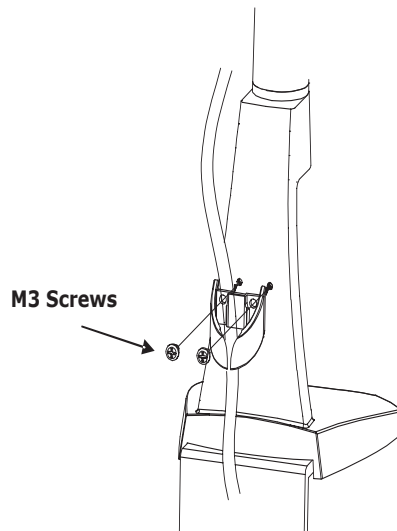
EXTENSION

Secure Velcro® strips under side of Extension around monitor cable(s), leaving slack for monitor cables to move freely.



DESK BASE

Attach the Cable Clip to the back of the Desk Base with the supplied M3 Screws and put cable(s) into the Cable Clip.

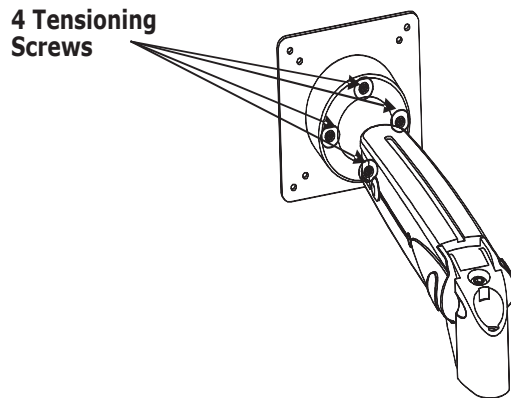


Note:

To allow free movement of monitor and Arm/Extension, please leave sufficient slack in the cable(s).

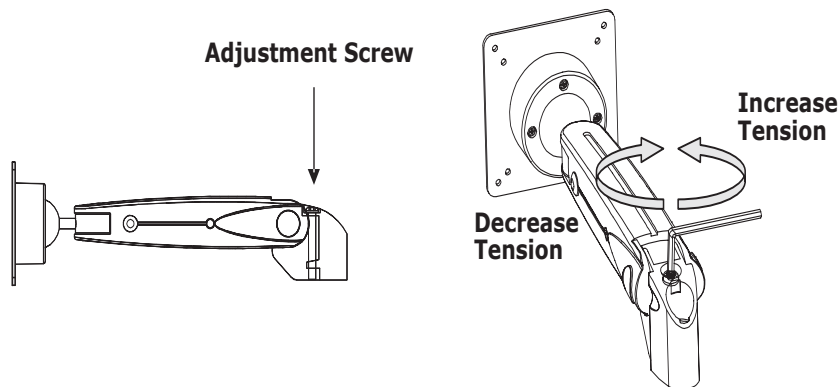
Arm Adjustment

Adjust the Ball-Joint for Tilt Action



Depending on the weight of the LCD monitor, adjustments may be required to the ball joint mechanism. If the monitor doesn't hold its position or is too tight, adjust the four tensioning screws located around the ball joint cover (clockwise to tighten, counter-clockwise to loosen). Check the monitor, and then adjust again if necessary.

Vertical Movement



Depending on the weight of the monitor, adjustments may be required to the Arm, this can be done by using the M5 Hex wrench provided.

If the Arm tends to drift down or rise up when positioned, it will be necessary to make small adjustments at the Adjustment Screw. The above shows the adjusting method. The M5 Hex wrench provided should be used to make this adjustment.

If the Arm tends to rise, the M5 Hex Wrench should be turned clockwise to decrease the tension until the Arm reaches a stable position.

If the Arm tends to fall, the M5 Hex Wrench should be turned counter-clockwise to increase the tension until the Arm reaches a stable position.

IMPORTANT

When performing this adjustment, the Arm must be in a HORIZONTAL position as shown above. To prevent damage to the aluminium Arm body, remove the M5 Hex Wrench before releasing the Arm from the horizontal adjustment position.

Desk Base Template

