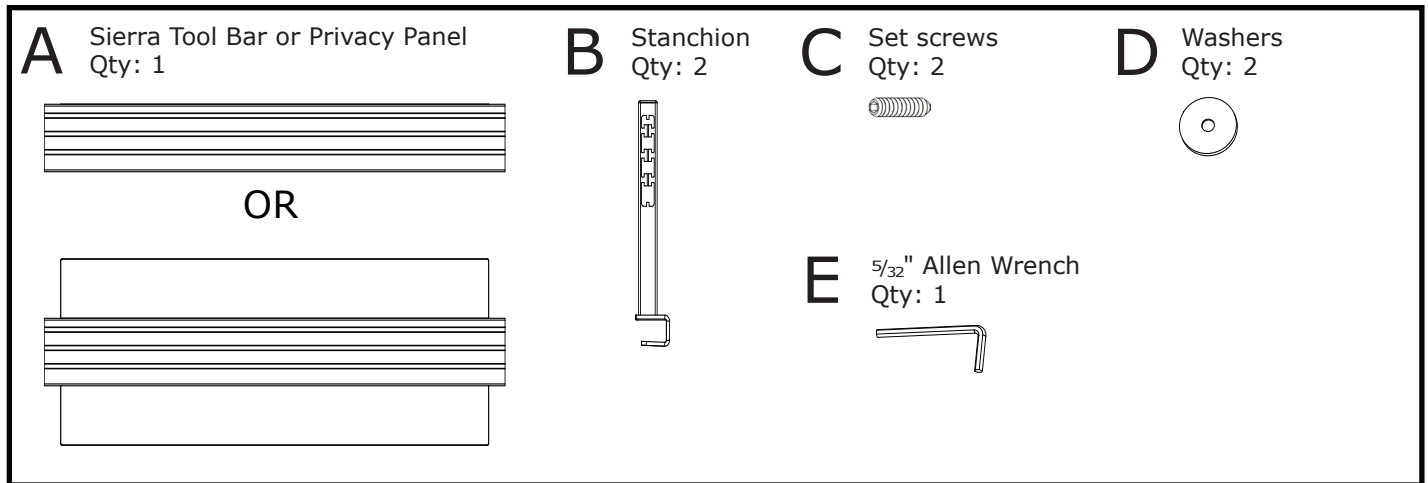


## Assembly Instructions for Sierra Tool Bar and Sierra Privacy Panel

### Parts by Carton



Verify that you have all the hardware needed for the assembly.



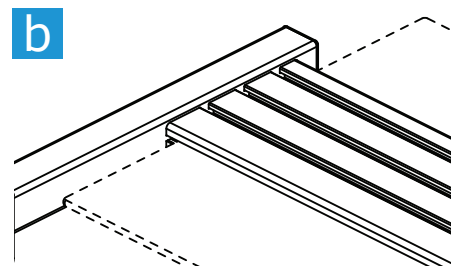
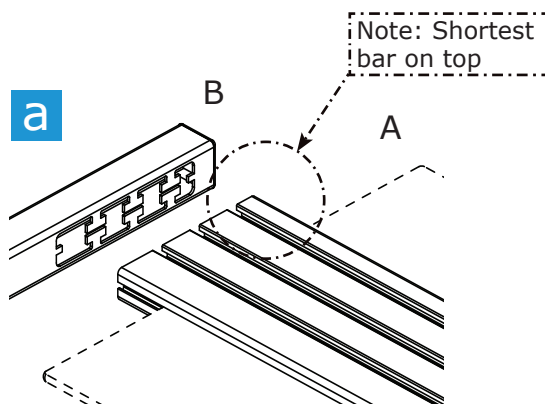
Two persons might be required to install longest versions of Tool Bar/Privacy Panel.

### 1 Attach Tool Bar or Privacy Panel to Stanchions



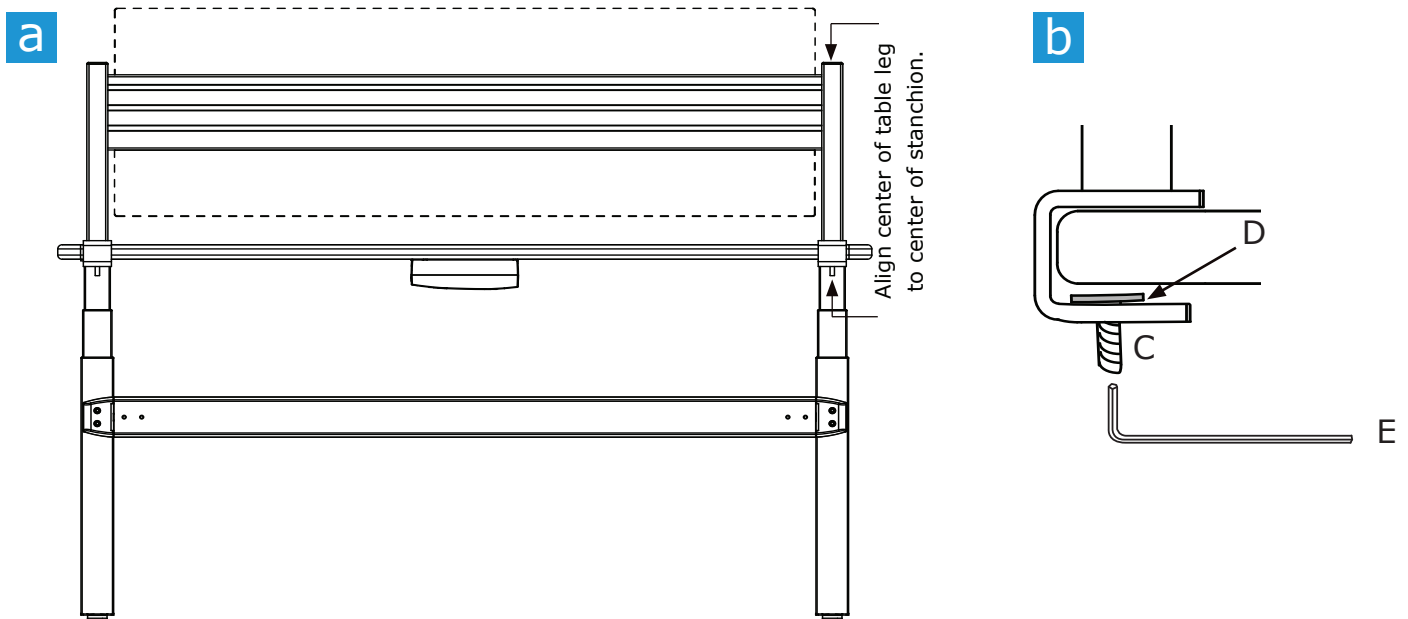
If you have purchased the SwingArm Sierra Tool Bar mount (SAPAN01), mount it to the Tool Bar BEFORE attaching Tool Bar to Stanchions.

- a** Align Tool Bar with holes in Stanchion. Notice that the sections of the Tool Bar are not symmetrical and position the Tool Bar with the short section on the top.
- b** Push Tool Bar into holes in Stanchion. Be sure it is pushed all the way in.  
Repeat for the other Stanchion.



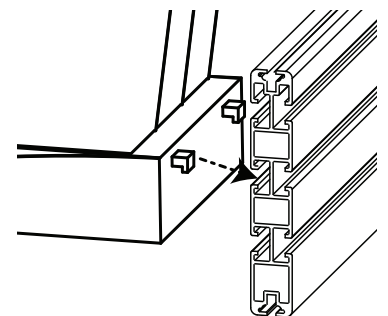
## 2 Attach Tool Bar to Worksurface

- a** Thread Set Screws into bottom of Stanchions until screw is visible. Slide Tool Bar onto back of worksurface. For two-leg tables, Tool Bars are designed to fit so that Stanchions align with center of table legs. For three-leg tables, Tool Bars are designed to fit so that outside Stanchion aligns with center of outside table leg.
- b** Place one washer between the bottom of the worksurface and the Stanchion, resting it on the top of the Set Screw. Tighten the Set Screw with the M5 Allen wrench provided. Repeat on other side.



## 3 Attach Accessories

Attach Sierra Accessories to Tool Bar with the hook facing downward. Insert the hook into the groove of the Tool Bar and then push down.



### Replacement Part Numbers

- 3500127: Stanchion cap, Sierra Silver
- 3500128: Stanchion cap, Charcoal
- 4200109: Sierra Tool Bar Hardware kit