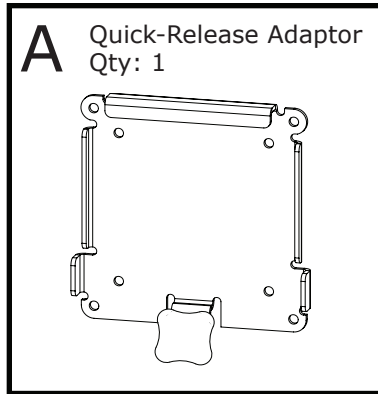
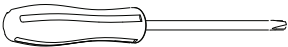


Assembly Instructions for Quick-Release Adaptor

Parts



Verify that you have all the hardware needed for the assembly.



#3 Phillips-head Screwdriver

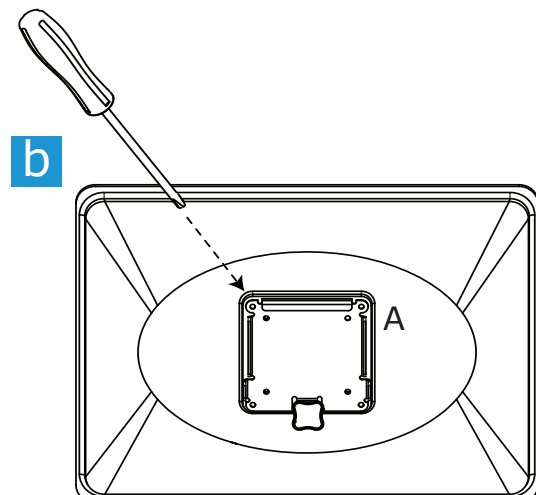
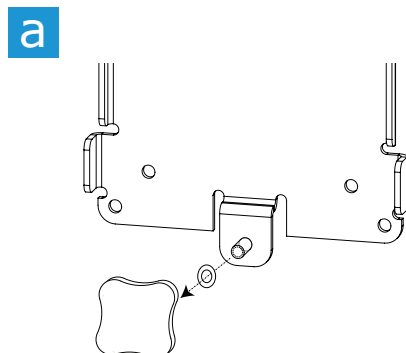


Workrite Poise™ or SwingArm™
(sold separately)

1 Attach Quick-Release Adaptor to monitor

- a** Remove knob and washer from Quick-Release Adaptor.
- b** Place monitor carefully on a clean, flat surface, face down.

Attach Quick-Release Adaptor to back of monitor with four screws, using a Phillips-head screwdriver (not included). Use mounting screws provided by your monitor manufacturer if available. Otherwise, use screws provided separately with Workrite Poise or SwingArm installation materials.



2 Attach Quick-Release Adaptor to Workrite Poise or SwingArm

- a Slide top lip of Quick-Release Adaptor over top of Workrite Poise or SwingArm VESA plate connector, then push bottom of Quick-Release Adaptor into place over VESA connector.
- b Replace knob and washer, then tighten to eliminate any play between Quick-Release Adaptor and Workrite Poise or SwingArm VESA connector.

