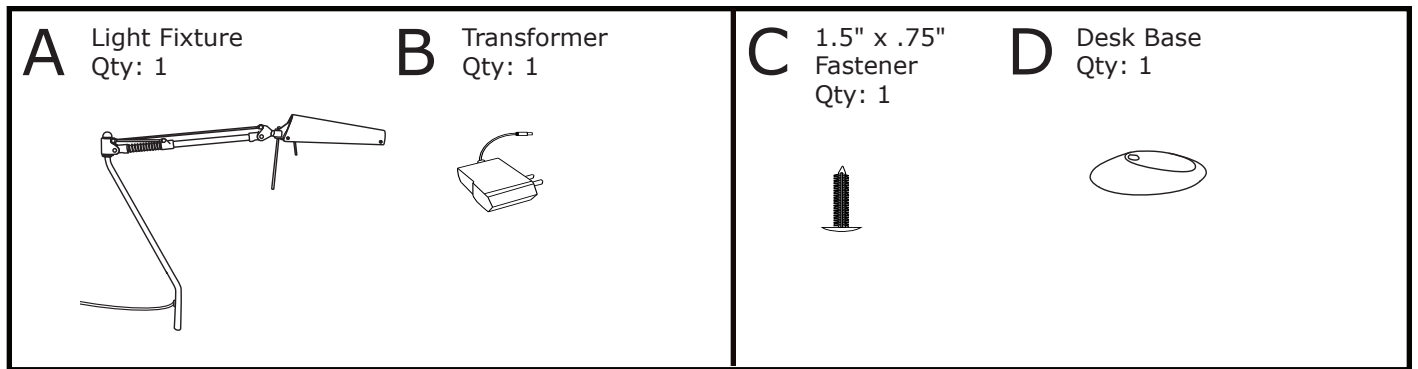
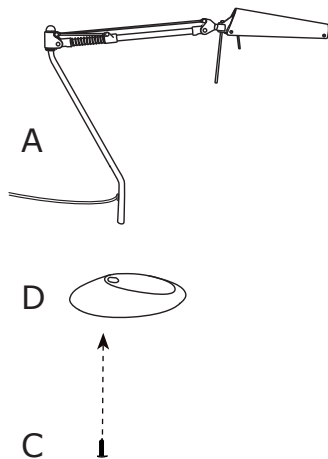




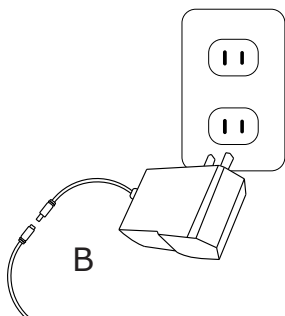
# Workrite Soleil Installation Instructions — Desk Base (SOL-111-01)



## 1 Attach Light Fixture to Desk Base



## 2 Connect Transformer to Light Fixture and plug Transformer into wall socket



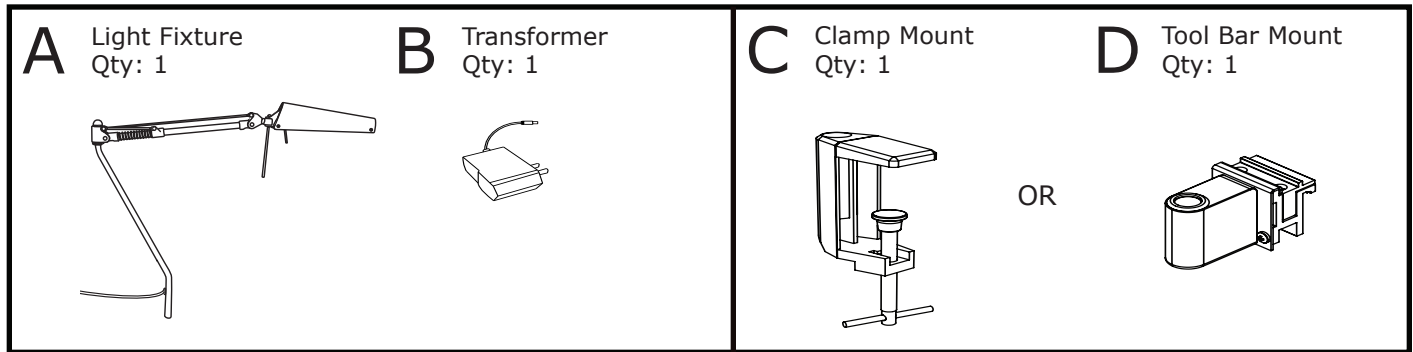
**⚠ Note! If attaching light to adjustable height worksurface, raise worksurface to maximum height before positioning fixture to ensure that cord will reach the outlet when worksurface is raised.**

### Replacement parts for Workrite Soleil

- Desk Base .....SOL-BSE-01
- Clamp Mount .....SOL-CLP-01
- Tool Bar Mount.....SOL-STR-01

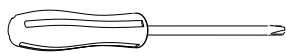


# Workrite Soleil Installation Instructions — Clamp Mount (SOL-121-01) and Tool Bar Mount version (SOL-131-01)



For replacement part numbers see reverse side of this sheet.

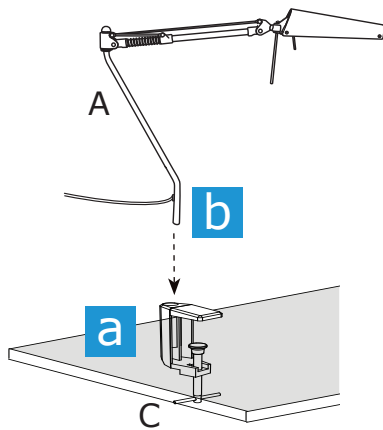
Verify that you have all the hardware needed for the assembly.



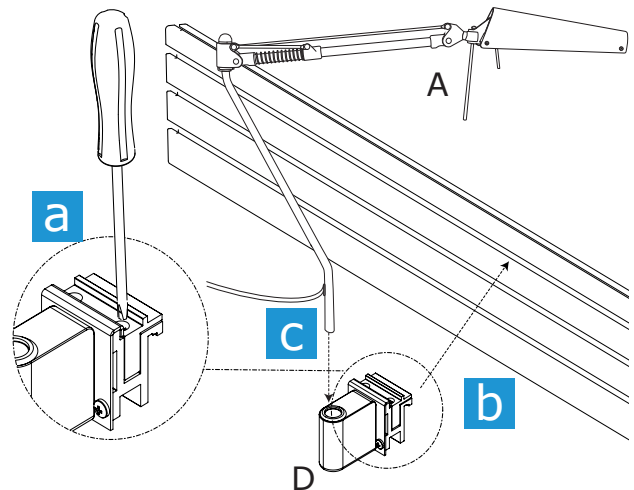
Phillips-head screwdriver (Tool Bar Mount only)

## 1 Attach Light Fixture to Clamp or Tool Bar Mount

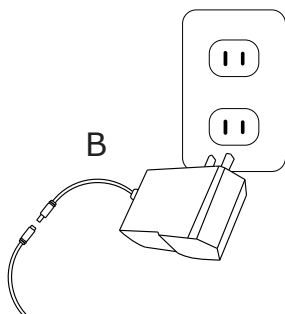
- a** Attach Clamp to edge of work surface.
- b** Insert bottom of Light Fixture into Clamp Mount opening.



- a** Loosen teeth to fit opening.
- b** Place Tool Bar Mount into slot and tighten screws.
- c** Insert bottom of Light Fixture into Tool Bar Mount opening.



## 2 Connect Transformer to Light Fixture and plug Transformer into wall socket



**! Note! If attaching light to adjustable height worksurface, raise worksurface to maximum height before positioning fixture to ensure that cord will reach the outlet when worksurface is raised.**