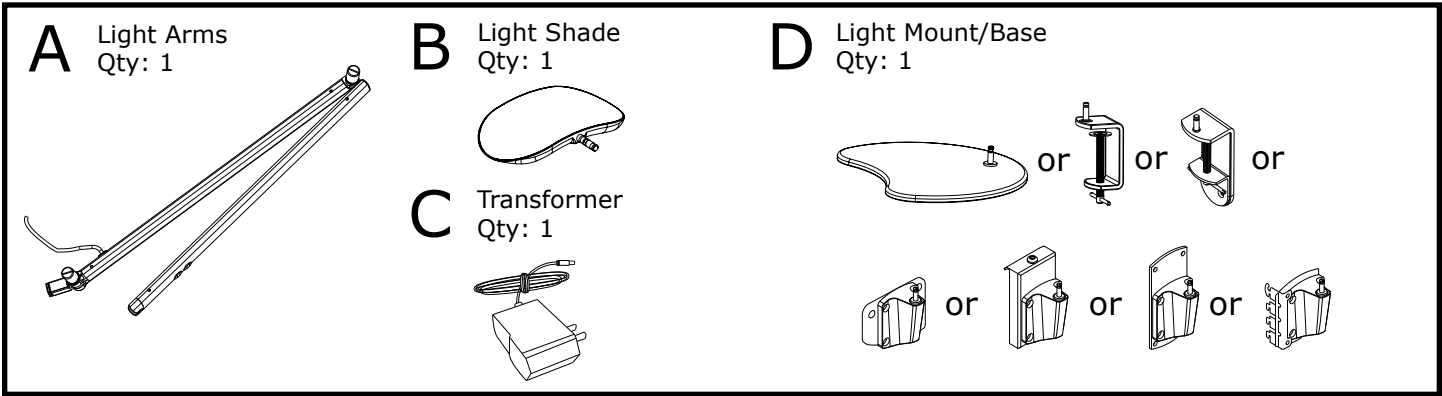




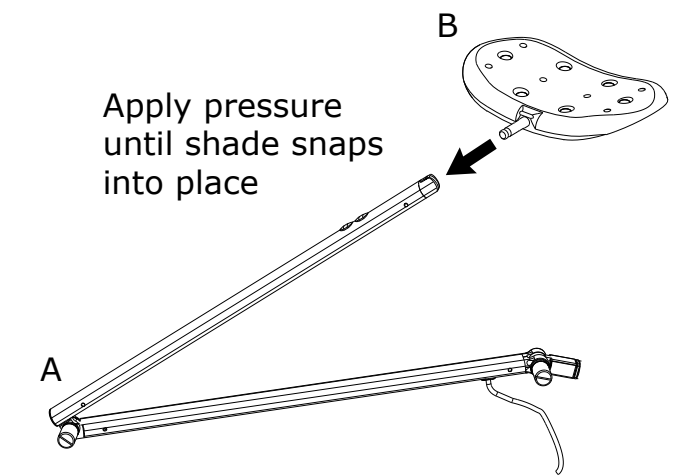
Workrite Astra Installation Instructions



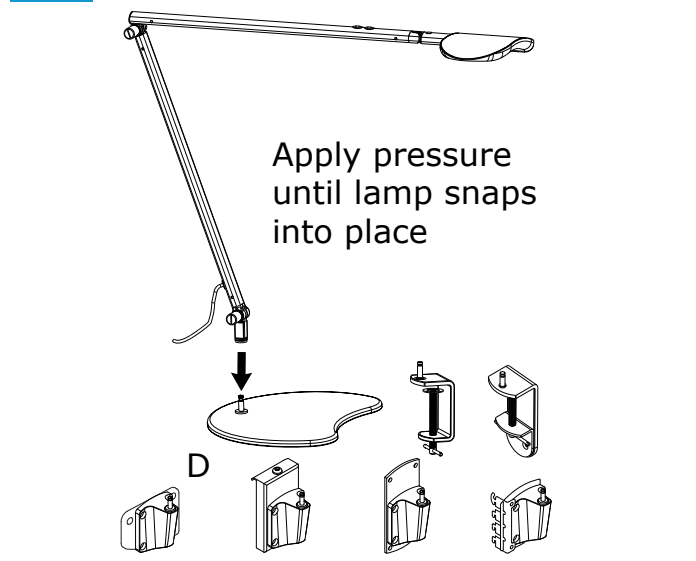
No tools are required to assemble Astra

1 Attach Light Mount/Base to desired location

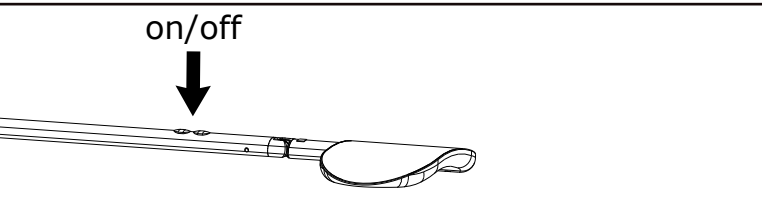
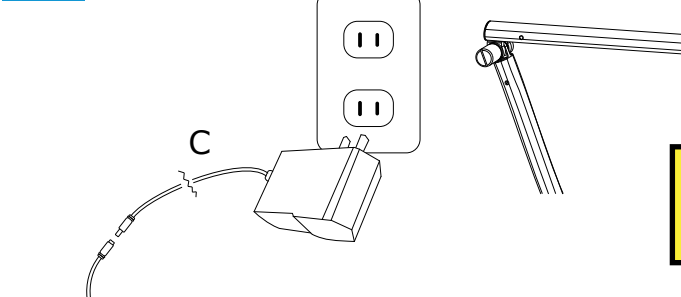
2 Attach Light Shade to Light Arms



3 Attach Lamp to Base or mount



4 Plug in, Turn on



! Note! If attaching light to adjustable height worksurface, raise worksurface to maximum height before positioning fixture to ensure that cord will reach the outlet when worksurface is raised.

Replacement parts for Astra

Astra Transformer..... AST-TRNS
 Astra replacement shade, Carbon AST-SH-C

Astra replacement shade, Winter AST-SH-W
 Astra replacement shade, Sterling AST-SH-S