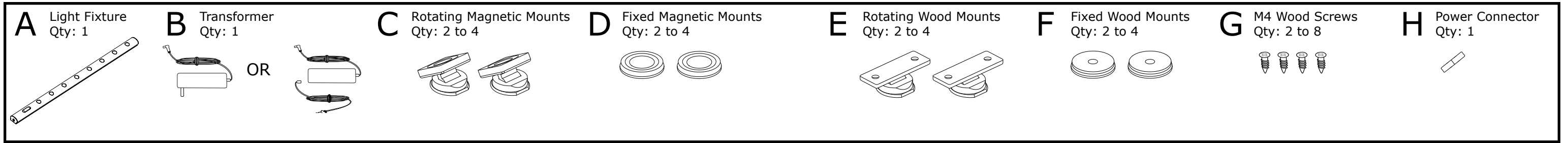


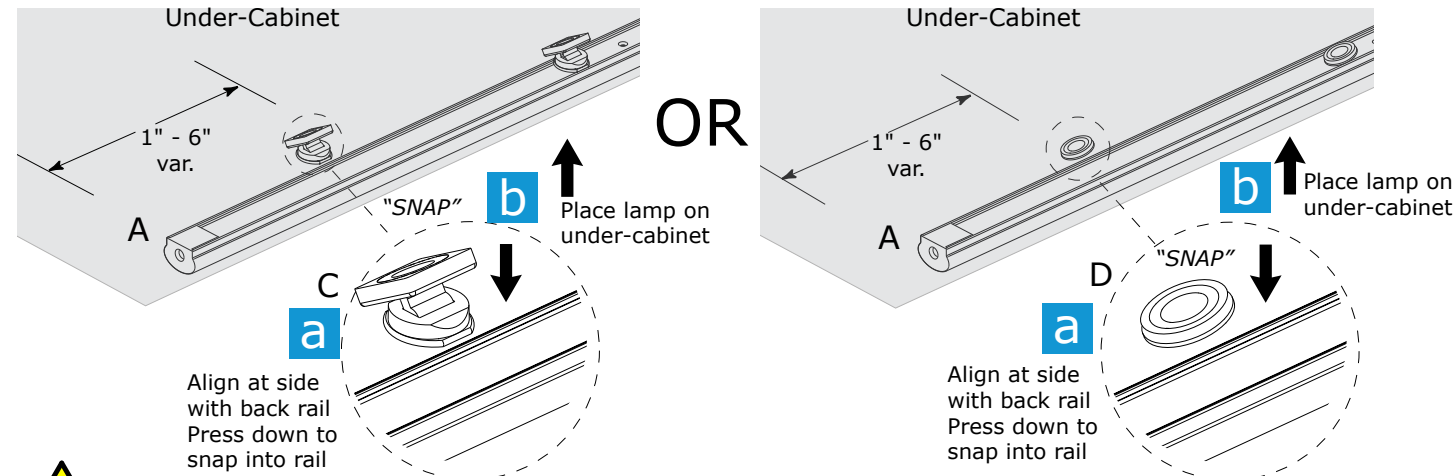
Verano Installation Instructions — *single unit, or parent unit of daisy chain*  
(see reverse for child unit installation)



**1** Determine if light will be affixed to a metal or wood cabinet and follow the appropriate step below.  
If installing parent unit of daisy chain, be sure to position parent unit so that it can be connected to the additional unit with the supplied jumper cable.

**2 Metal cabinet mounting:**

- Rotating:**
- a** Orient flat sides of Rotating Magnetic Mounts with the length of the Verano and snap both mounts on back rail.
  - b** Attach light fixture to metal under-cabinet. Magnets will hold Verano in place.
- Fixed:**
- a** Snap both Fixed Magnetic Mounts onto back rail.
  - b** Attach light fixture to metal under-cabinet. Magnets will hold Verano in place.

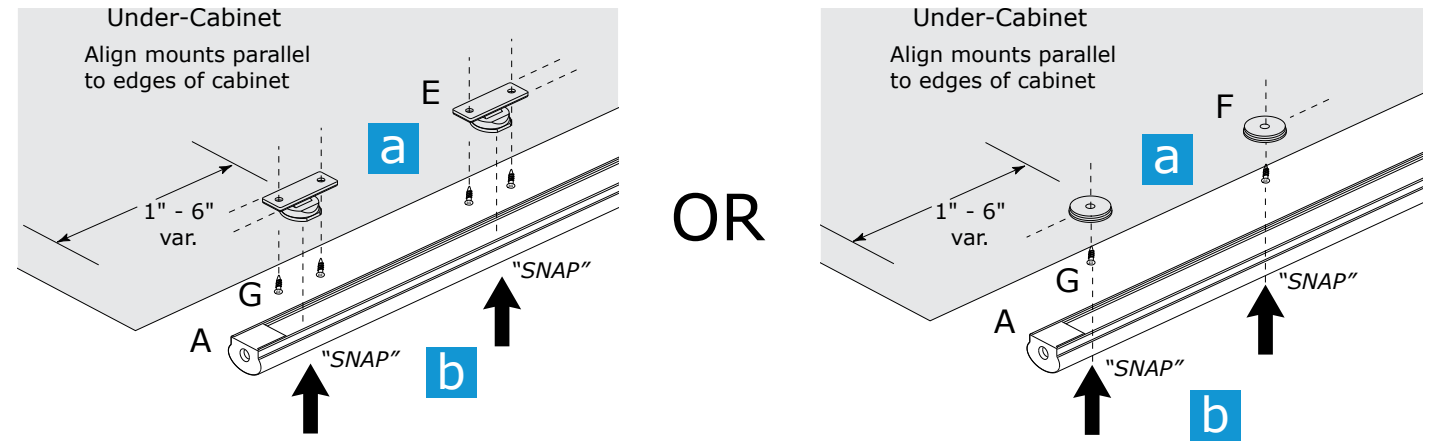


**!** Note: All mount options allow fixture to slide from side to side - mounts can be positioned up to 6" from edge of fixture.

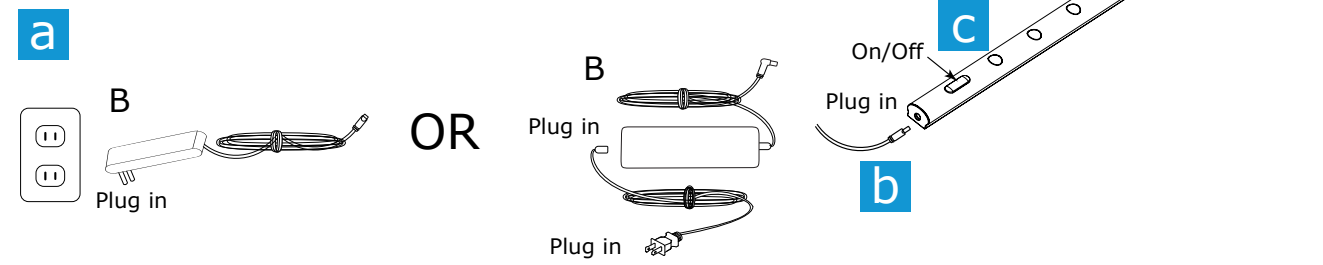
**Wood cabinet mounting:**

Note: You will need a Philips-head screwdriver to complete this step.

- Rotating:**
- a** Attach Rotating Wood Mounts to underside of cabinet with wood screws.
  - b** Snap Verano onto mounts to hold in place.
- Fixed:**
- a** Attach Fixed Wood Mounts to underside of cabinet with wood screws.
  - b** Snap Verano onto mounts to hold in place.



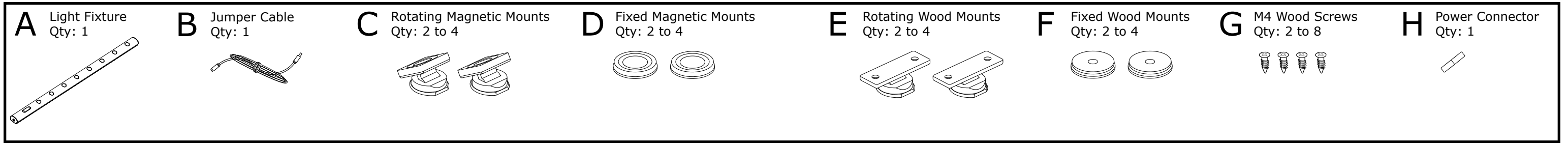
- 3**
- a** Plug transformer into wall
  - b** Plug power cord into Verano unit end
  - c** Press power button on Verano to turn on/off.



Replacement parts

Daisy Chain Jumper Cords, 48" .....	VER-DC48
25 watt transformer.....	VER-T25
45 watt transformer.....	VER-T45
Verano hardware pack (contains qty 2 each of parts C-F and qty 4 wood screws) .....	VER-HDWR

Verano Installation Instructions — *child* daisy chain units  
(see reverse for single or parent unit installation)

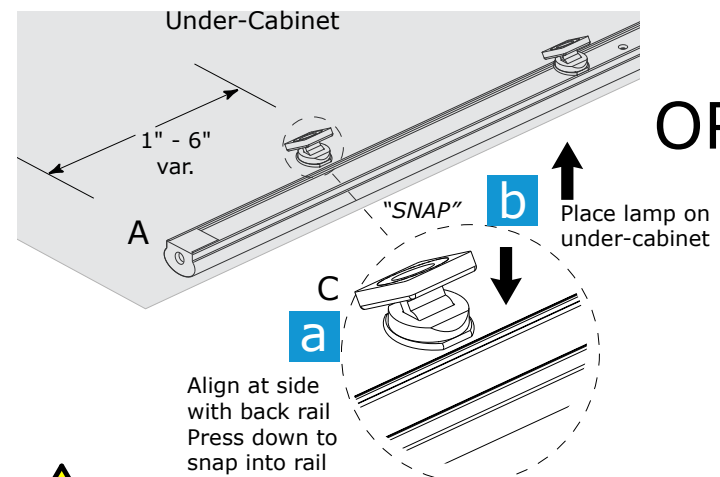


**1** Determine if light will be affixed to a metal or wood cabinet and follow the appropriate step below.  
Be sure to position daisy-chained unit so that it can be connected to the previous unit with the supplied jumper cable.

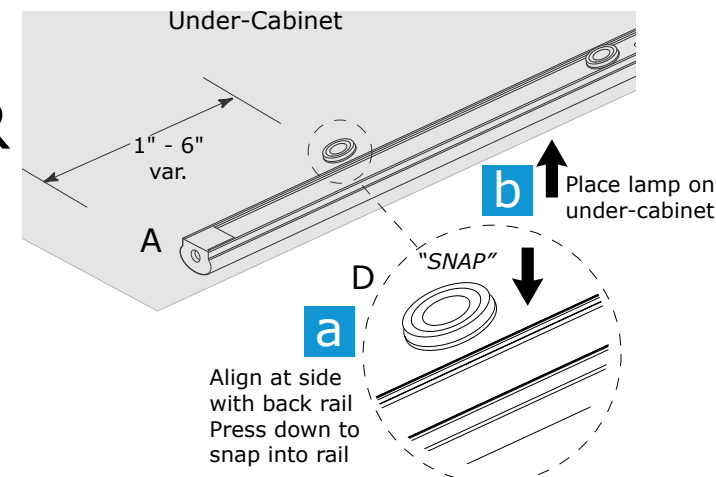
**2 Metal cabinet mounting:**

- Rotating:**
- a** Orient flat sides of Rotating Magnetic Mounts with the length of the Verano and snap both mounts on back rail.
  - b** Attach light fixture to metal under-cabinet. Magnets will hold Verano in place.

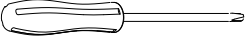
- Fixed:**
- a** Snap both Fixed Magnetic Mounts onto back rail.
  - b** Attach light fixture to metal under-cabinet. Magnets will hold Verano in place.



OR

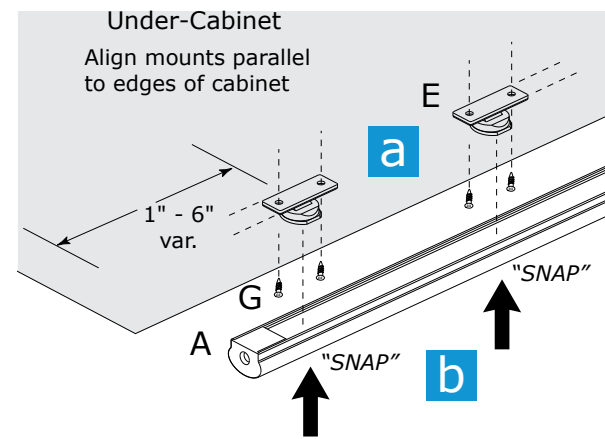


**Wood cabinet mounting:**

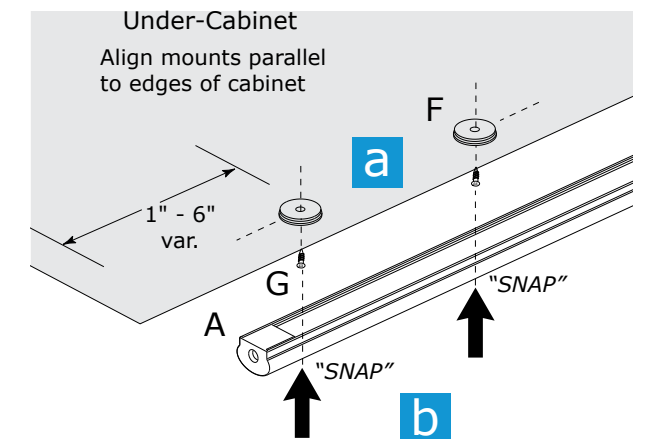
Note: You will need a Philips-head screwdriver to complete this step. 

- Rotating:**
- a** Attach Rotating Wood Mounts to underside of cabinet with wood screws.
  - b** Snap Verano onto mounts to hold in place.

- Fixed:**
- a** Attach Fixed Wood Mounts to underside of cabinet with wood screws.
  - b** Snap Verano onto mounts to hold in place.

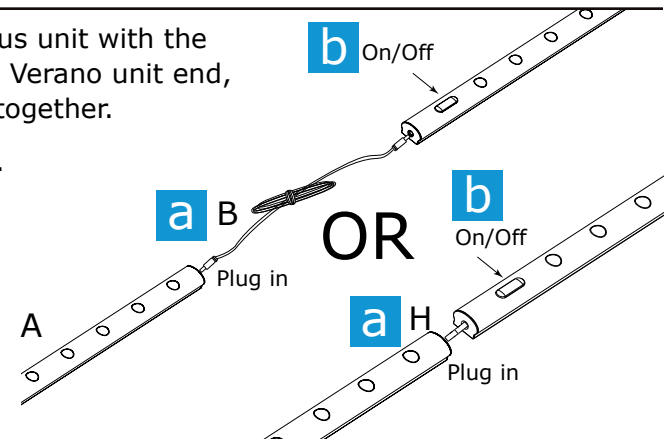


OR



**!** Note: All mount options allow fixture to slide from side to side - mounts can be positioned up to 6" from edge of fixture.

- 3**
- a** Connect daisy-chained Verano unit to previous unit with the supplied Jumper Cable. Plug power cord into Verano unit end, or use Power Connector to join two fixtures together.
  - b** Press power button on Verano to turn on/off.



Replacement parts

Daisy Chain Jumper Cords, 48" .....	VER-DC48
25 watt transformer.....	VER-T25
45 watt transformer.....	VER-T45
Verano hardware pack (contains qty 2 each of parts C-F and qty 4 of G).....	VER-HDWR