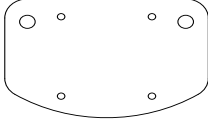



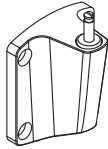

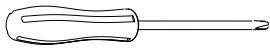


Assembly Instructions for Astra™ Sierra Tool Bar Mount

Parts

A Tool Bar Mounting Bracket Qty: 1	B Tool Bar Mounting Plate Qty: 1	C M8 x 14mm Screws Qty: 2	D M5 x 10mm Screws Qty: 4	E Mount Qty: 1
				
		F Hex wrench Qty: 1		
				

Verify that you have all the hardware needed for the assembly.



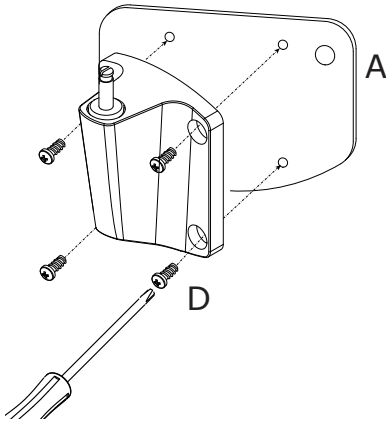
Phillips-head screwdriver



Astra Light

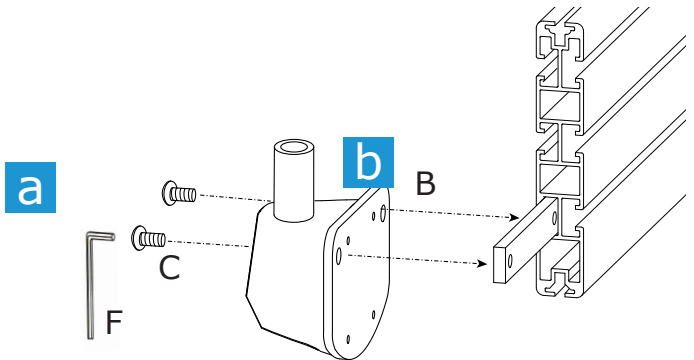
1 Attach Mount to Tool Bar Mounting Bracket

- a** Attach Mount to Tool Bar Mounting Bracket with four screws, using a Phillips-head screwdriver. Keep cushion that comes with Mount for Step 2.



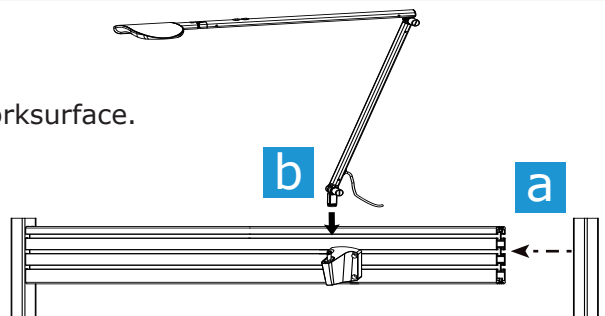
2 Attach Mount to Tool Bar

- a** Loosely attach screws to Mounting Bracket and Mounting Plate.
- b** Slide Mounting Plate into Tool Bar opening. Move Astra Mount to desired position on Tool Bar and tighten screws using the Hex Wrench provided.



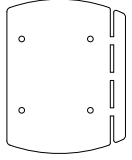
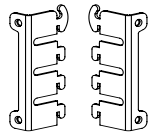


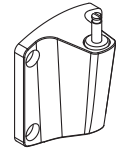

3 Secure Tool Bar and Attach Astra

- a** Attach Stanchion to side of Tool Bar and tighten to worksurface.
- b** Attach assembled lamp to Mount

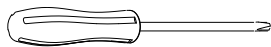


Assembly Instructions for Astra™ Panel System Mount

Parts

<p>A Panel Mounting Bracket Qty: 1</p> 	<p>B Panel Mounting Hook Qty: 1 each</p> 	<p>C 10-32 x .75" Phillips-head screw Qty: 2</p>  <p>D 10-32 x .5" Phillips-head screw Qty: 2</p> 	<p>E Mount Qty: 1</p> 	<p>F M5 x 10mm Phillips-head Screws Qty: 4</p> 
---	---	--	--	---

Verify that you have all the hardware needed for the assembly.



Phillips-head screwdriver

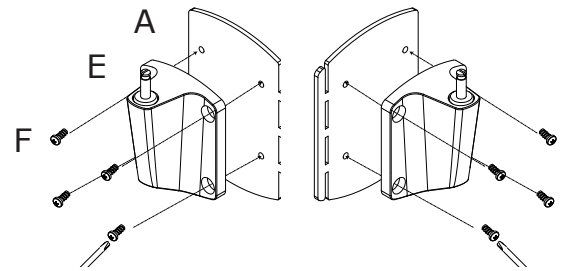


Astra Light

1 Attach Mount to Panel Mounting Bracket

Determine if mounting on left or right of vertical panel seam.

- a** Attach Mount to Panel Mounting Bracket with four screws provided, using a Phillips-head screwdriver.



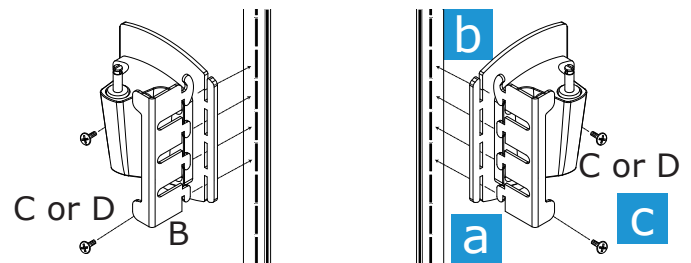
Left-side mounting

Right-side mounting

2 Attach Panel Mounting Hook to Mount

Slide teeth of appropriate Mounting Hook (left or right) all the way through holes in Mounting Bracket.

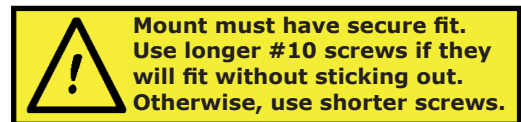
- a** Slide teeth of appropriate Mounting Hook (left or right) all the way through holes in Mounting Bracket.
- b** Tip Mounting Hook and insert teeth into panel system slots, push down for secure connection.



Left-side mounting

Right-side mounting

- c** Insert and tighten Phillips-head screws to eliminate movement.



3 Attach Astra

- a** Attach assembled lamp to Mount

