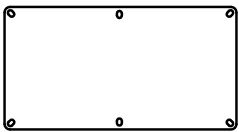


A 100 X 200 VESA Plate
Qty: 1



B M4 Nut
Qty: 4



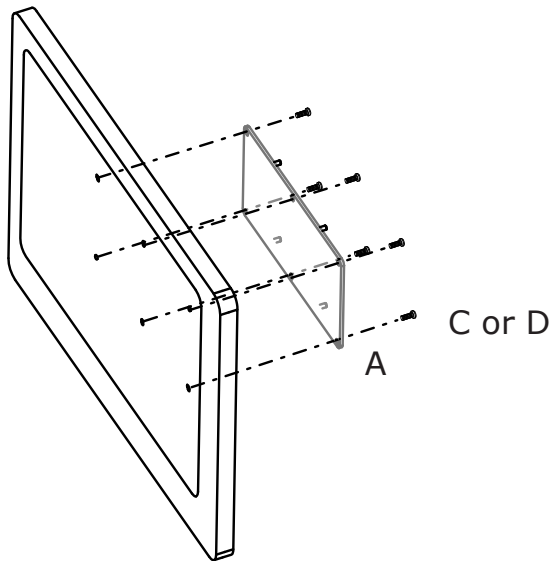
C M4x10mm Screw
Qty: 6




D M4x6mm Screw
Qty: 6

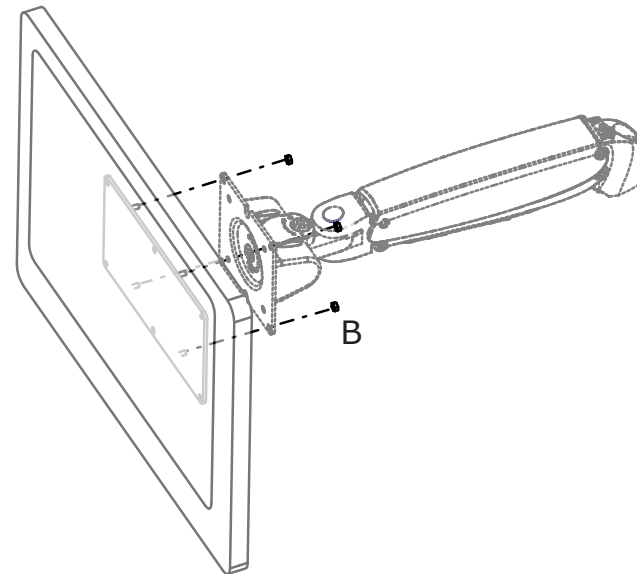


1 Attach 100 x 200 VESA Plate (A) to the LCD screen using six screws. See note below regarding screws.



 Note: It is strongly recommended to use the mounting screws provided by the LCD monitor manufacturer. Due to the variety of monitor mounting designs, the mounting holes at the back of the LCD monitor might not be suitable for the M4 screws we have provided and could cause damage to the LCD monitor.

2 Attach LCD screen to 100 x 100 VESA Mount on Arm using four M4 Nuts (B).



To install and adjust your monitor arm, see the instructions included with the arm you ordered.