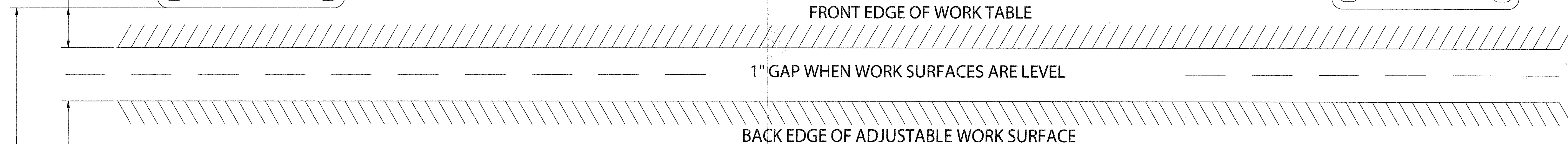
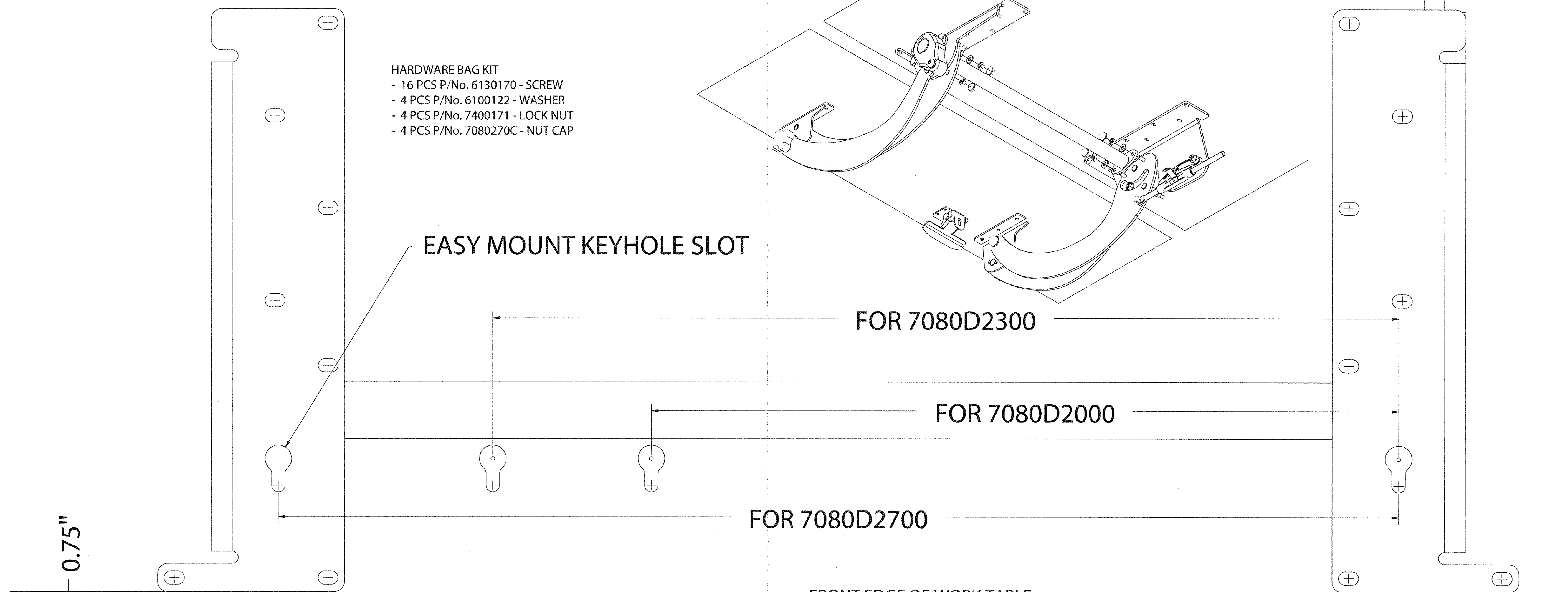
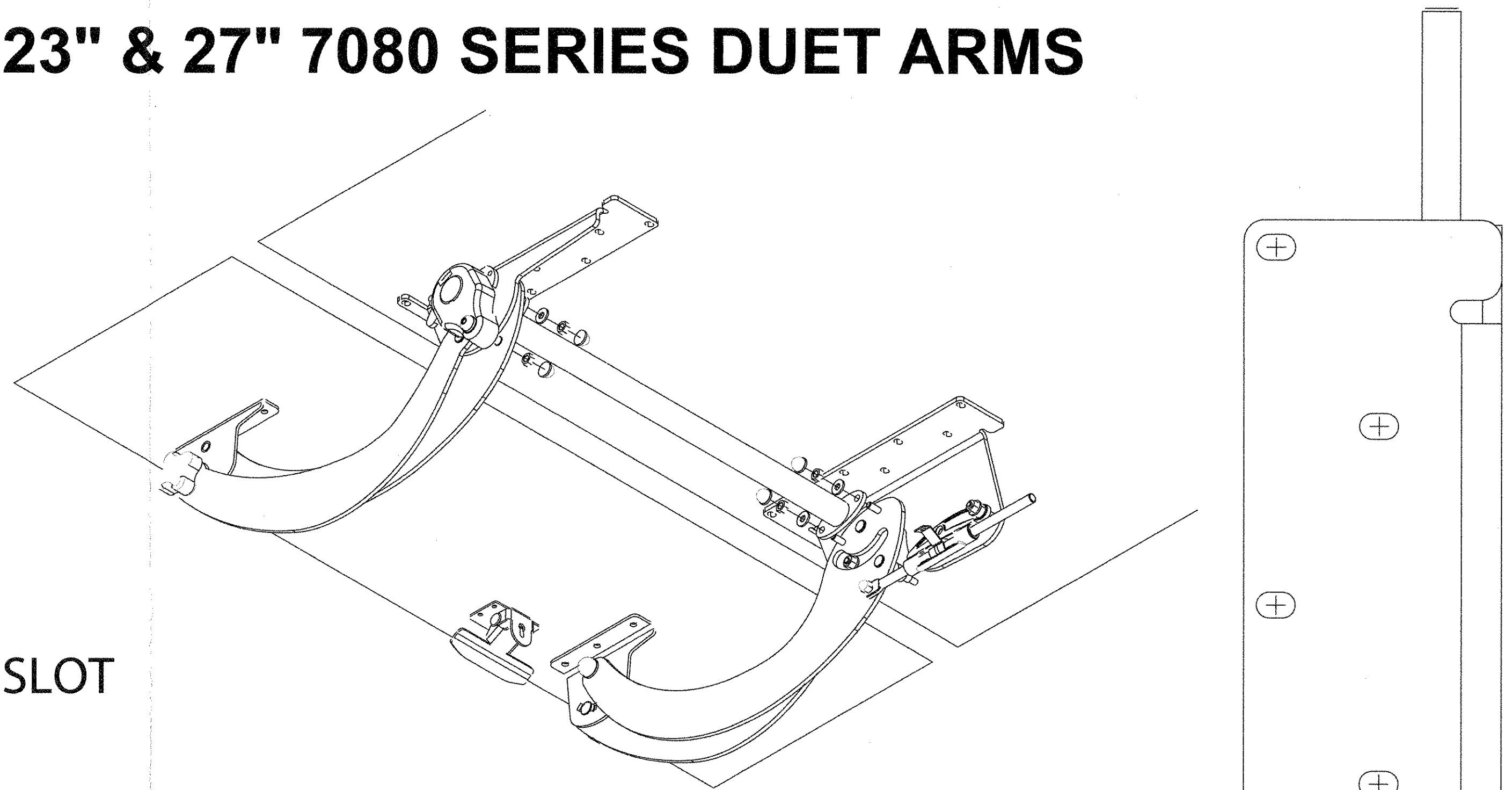


# MOUNTING TEMPLATE FOR 20", 23" & 27" 7080 SERIES DUET ARMS

**HARDWARE BAG KIT**  
 - 16 PCS P/No. 6130170 - SCREW  
 - 4 PCS P/No. 6100122 - WASHER  
 - 4 PCS P/No. 7400171 - LOCK NUT  
 - 4 PCS P/No. 7080270C - NUT CAP



FOR 7080D2000  
 FOR 7080D2300

1. Assemble the left and right hand arms with the cross tube provided using the washers and lock nuts. Assemble nut covers over lock nuts.
2. When the arm is assembled, ensure that the mounting brackets are level. This is best done by placing the unit on the floor and adjusting the paddle and knobs until all four brackets are flat on the floor. Release paddle and tighten knobs to lock in this position.
3. Cut the template along the indicated lines and align front edge line of the worktable mounting template with front edge of the underside of the work table, and tape in desired position.
4. Drill 1/16" diameter by 5/8" deep pilot holes at the Keyhole locations for the required size. Assemble 2 screws in the Easy Mount Keyhole locations, do not tighten all the way down! Mount the Duet Arm on the Easy Mount screws. Pre-drill remaining screw locations and secure with remaining screws.
5. Align back edge line of adjustable work surface template with the back underside edge of the adjustable work surface, and tape in position.

6. Drill 1/16" diameter by 5/8" deep pilot holes at the 6 locations indicated by the cross hairs for the required size. Mount the work surface with the six larger screws.
7. Align front edge line of the height adjust paddle template with the front underside edge of the work surface in the desired location (suggested location is within 10" of the bracket indicated). Assemble the height adjust paddle with the four smaller screws.

**TOOLS REQUIRED:**  
 - Drill  
 - 1/16" Drill bit.  
 - Phillips Screwdriver

**CAUTIONS:**  
 - Protect your eyes...wear safety goggles when installing this Duet Arm.  
 - This unit is not meant to be sat upon.

**SCREW BAG KIT**  
 - 6 PCS P/No. 6130170  
 - 4 PCS P/No. 6170170

