

SINGLE & DUAL MOUSE-FORWARD

adjustable keyboard platforms



MOUSE-FORWARD™ COMFORT AND FLEXIBILITY

These preconfigured systems feature our Universal Platform with single or dual swivel-out, mouse-forward surfaces. The dual mouse-forward platform shown with our patented Keynetix2 is a great solution for any active 24/7 environment. The Mouse-Forward™ design features maximum leg clearance and ease of adjustment using a slim profile phenolic platform. The non-skid surface pads keep the keyboard stationary.

All arm mechanisms provide at least $-15^{\circ}/+10^{\circ}$ tilt and are available in two track lengths. The Polaris Lift-n-Lock™ Arm AKP115 features a low profile design with a lever free mechanism for both height and tilt adjustment. The Keynetix Arm AKP75 features a dual paddle mechanism for both height and tilt adjustment and extended reach of 2½" above the worksurface.

Let work
come to Life.™

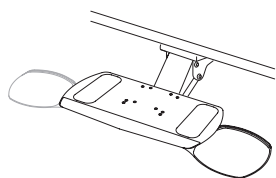
Workrite
ergonomics®

SINGLE & DUAL MOUSE-FORWARD™

Products listed on this page are available through GSA Contract GSA-28F-0030S SIN #711-2 (Schedule 71)



adjustable keyboard platforms



Platform Features:

- One piece phenolic keyboard platform with single or dual swivel out mouse surfaces
- Slim profile for maximum leg clearance and ease of adjustment
- Remove wrist rest to accommodate Microsoft® Natural & Elite keyboards
- Upholstered wrist rest
- Optional gel mouse pad, add "G" to end of model # (eg. KEY-67G, \$29 upcharge)
- Non-skid surface pads keep keyboard stationary

Arm Mechanism Options:

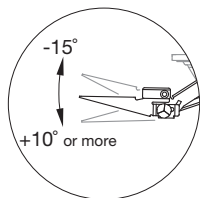
- Keynetix Arms with One Touch adjustment for both height and tilt
- Polaris Arms with Dual paddle adjustment for both height and tilt
- Keynetix AKP45 Arms with 6" of height adjustment (0" above the surface)
- Keynetix AKP75 Arms with 9½" height adjustment (2½" above work surface)
- All systems: 360° swivel; 15° +/- tilt (-15°/+10° on AKP115)
- EZ-Glide track in multiple lengths, all are 5½" wide
- Cable management system
- Steel construction with durable powder coat finish
- Surpasses ANSI/BIFMA standards
- Patented mechanism on "2KEY" preconfigured systems
- Positive tilt lock-out option available

Environmental considerations:

- LEED credit eligibility
 - Materials & Resources, MR Credit 4.1
 - Recycled content: 10% (post-consumer + ½ pre-consumer) (1 point)
 - Materials & Resources, MR Credit 4.2
 - Recycled content: 20% (post-consumer + ½ pre-consumer) (1 point)
- Innovation and Design, ID Credits 1.1-1.4
 - Implementation of comprehensive ergonomic program (1-4 points)
- Phenolic platform surface made from GREENGUARD® certified materials



Upholstered wrist rest for keying comfort



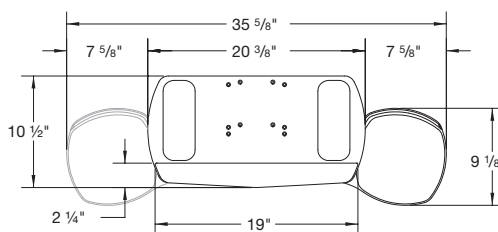
Tilt range meets ANSI/BIFMA standards



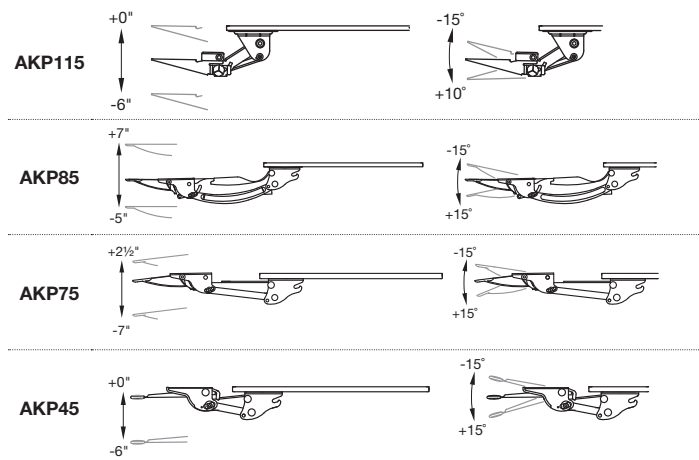
Generous mousing surface quickly slides into position

Arm Mechanism	Configuration	Track Length	Model #	Weight	LEED Recycle %
	Single	18"	PLP-32	14	20
		21"	PLP-33	14	21
	Dual	18"	PLP-66	14	18
	Single	21"	2STS-32	18	23
		24"	2STS-52	18	23
	Dual	21"	2STS-67	18	21
	Single	21"	2KEY-32	16	22
		24"	2KEY-33	16	22
	Dual	21"	2KEY-66	16	20
	Single	18"	KEY-32	13	22
		21"	KEY-34	13	22
	Dual	18"	KEY-61	14	20
		21"	KEY-62	15	20

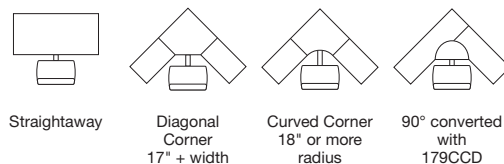
Dimensions



Arm Range



Desk Compatibility



Workrite Ergonomics, Inc. 1450 Technology Lane, Petaluma, CA 94954
www.workriteergo.com 800.959.9675

©2011 Workrite Ergonomics | All referenced company and product names are trademarks, registered trademarks or copyrights of their respective holders.

1400102-0711 Subject to change without notice.

Workrite
ergonomics®